



- GFR3100** Heat traced eye wash and shower safety station with top feed
- GFR3110** Heat traced eye wash and shower safety station with bottom feed

Components

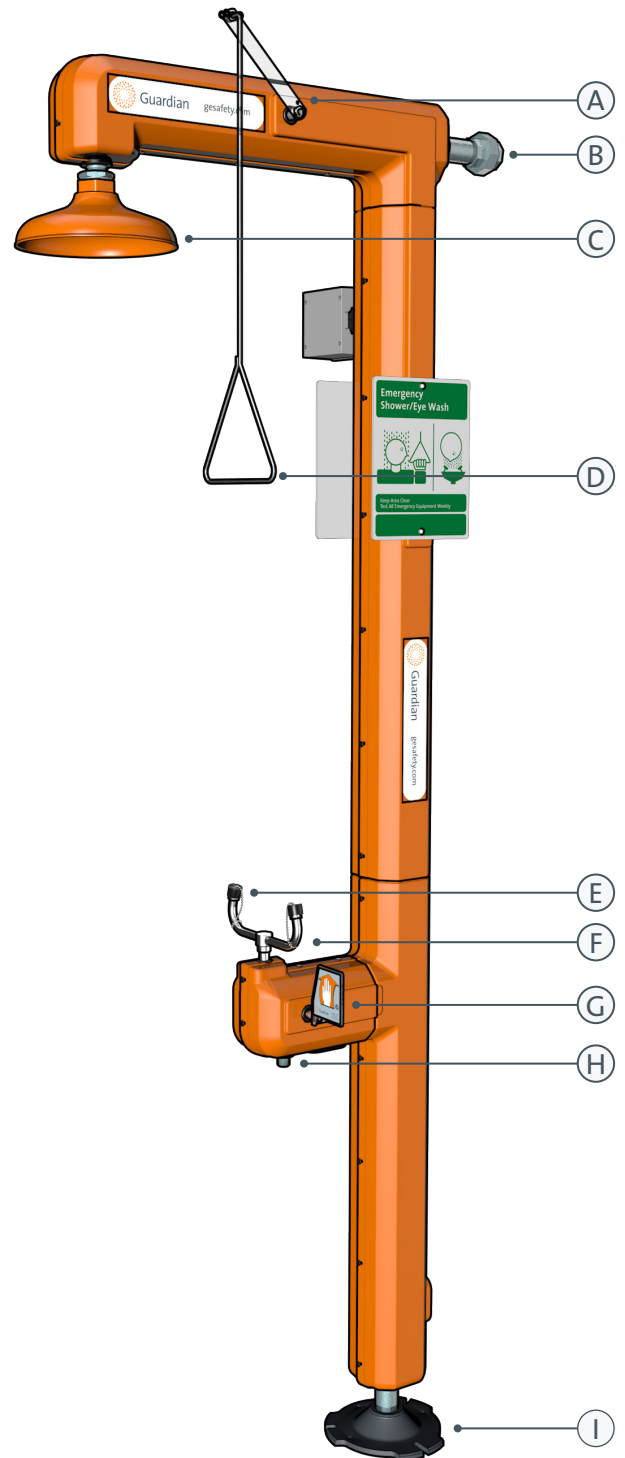
Item	Part Number	Description
A	600-106	Shower Valve, 1" IPS Brass
B	300-10U	1-1/4" IPS Female Union Inlet
C	AP450-032ORG	Orange ABS Plastic Shower Head
	AP450-048	Stainless Steel Shower Head
D	AP050-079	Shower Pull Rod Assembly
E	AP250-048R	Spray Head Dust Cover (pkg of 2)
F	AP470-105FP	Eyewash Assembly
G	600-103	Eyewash 3-Way Valve, 1/2" IPS Brass
H	500-04-03-4	Drain Tube for 3-way Ball Valve
I	150-032	Floor Flange

General Notes

Installation of heat traced safety station requires that mechanical and electrical connections be made. Installation should be performed by a licensed plumber and a licensed electrician. All work must be done in accordance with applicable regulations, including local plumbing codes, electrical codes and OSHA regulations pertaining to lockout of electrical equipment. It is recommended that a shut-off valve is installed upstream of the unit to facilitate maintenance. Provisions must be made to prevent unauthorized closure of the shut-off valve.

Mechanical Assembly

- Secure unit to floor using floor flange on base of unit.
- Connect water supply to the 1-1/4" IPS union connection at the top or bottom of unit. If outdoors, make sure water supply pipe is protected from freezing.
- Test unit for leaks and ensure both the eyewash and shower work properly.
- Drain pipe under the eyewash valve allows water to drain after use to prevent the eyewash from freezing. Drain must remain unobstructed.

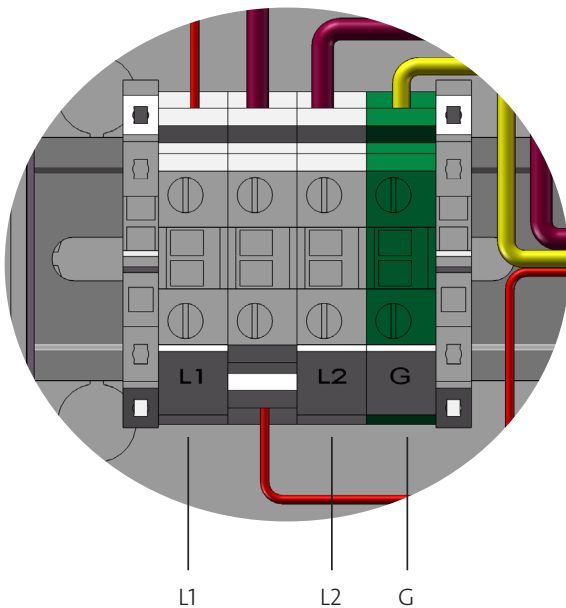
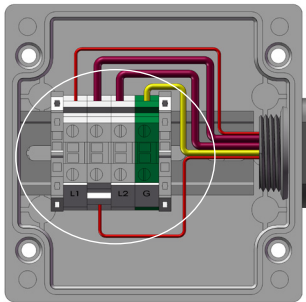




- ☐ **GFR3100** Heat traced eye wash and shower safety station with top feed
- ☐ **GFR3110** Heat traced eye wash and shower safety station with bottom feed

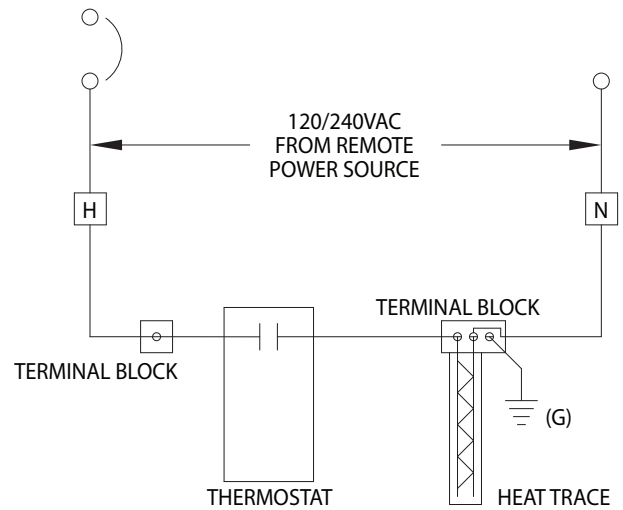
Electrical Wiring

- Connect the incoming power wire (hot) to terminal block L1.
- Connect neutral wire to terminal block L2.
- Connect ground wire to terminal block G.



Electrical Schematic

20 AMP, 1 POLE CIRCUIT
BREAKER. GFI REQUIRED
(5mA TRIP RECOMMENDED)



120/240VAC POWER
SHOWER CONTROL SCHEMATICS