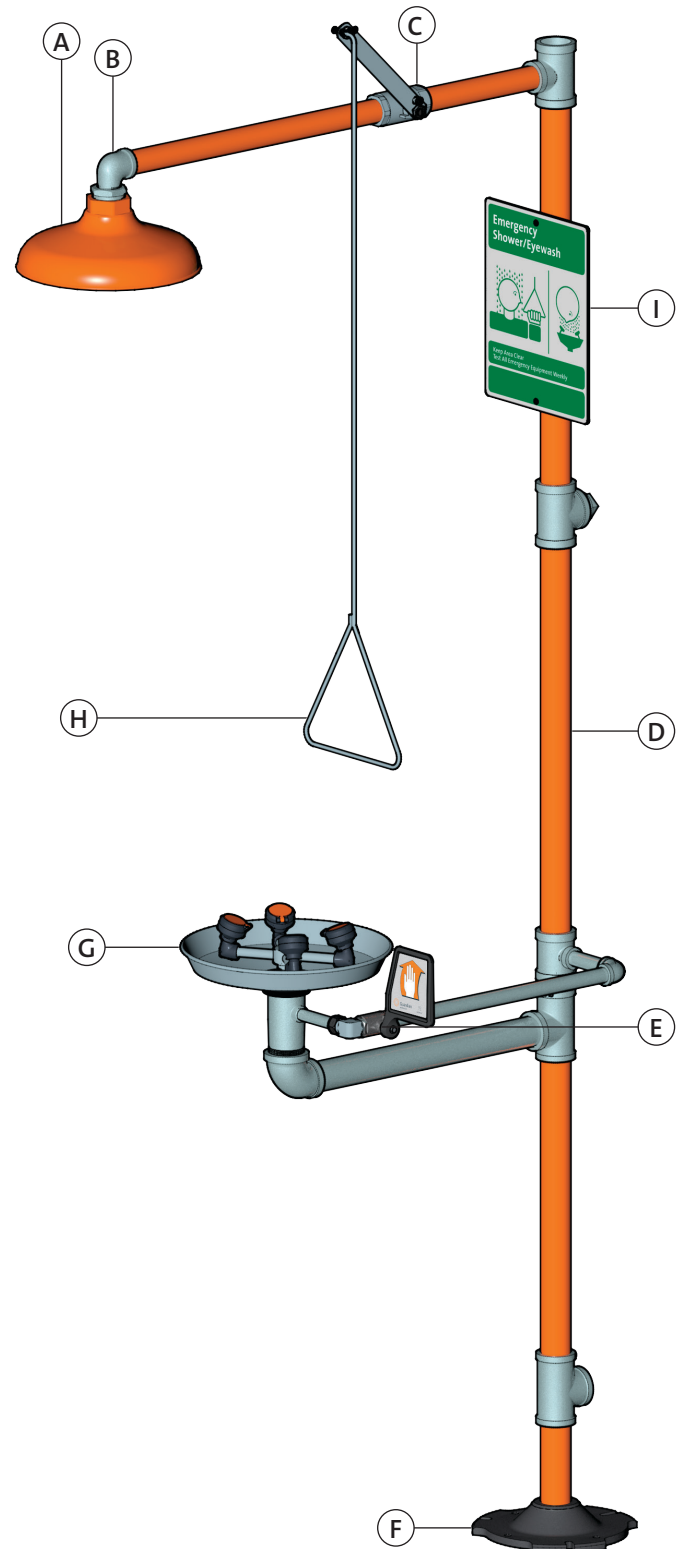


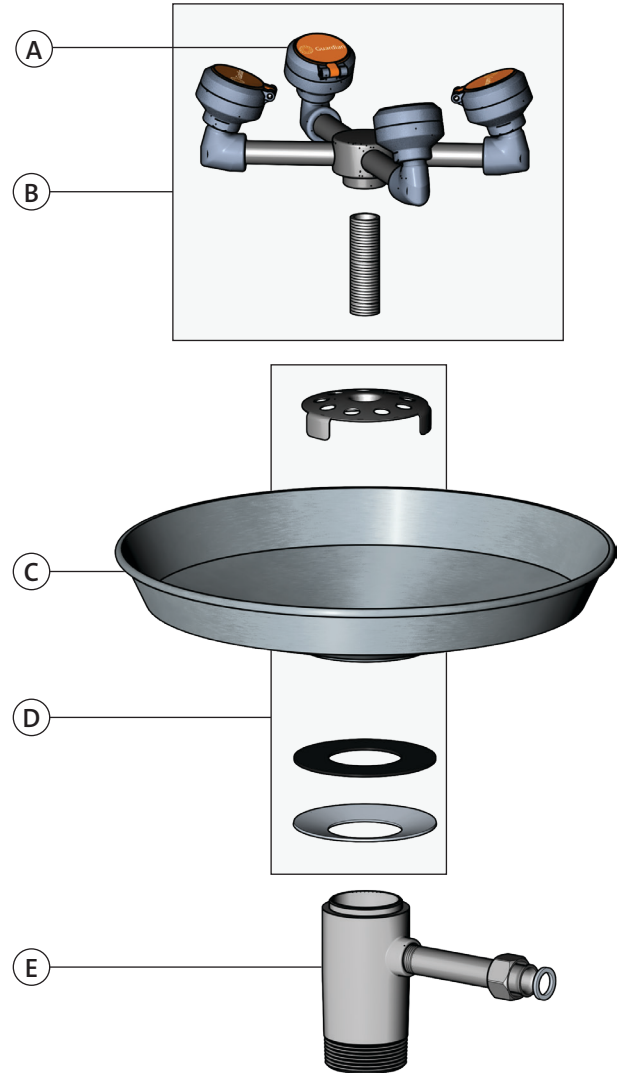


Item	Part Number	Description
Shower Heads		
A	AP450-032ORG-R	Orange ABS Plastic Shower Head with 20 GPM Flow Control and 1" Hex Bushing
	AP450-032GRN-R	Green ABS Plastic Shower Head with 20 GPM Flow Control and 1" Hex Bushing
	AP450-032YEL-R	Yellow ABS Plastic Shower Head with 20 GPM Flow Control and 1" Hex Bushing
	AP450-048	10" Dia. Stainless Steel Shower Head
Shower Head Elbow		
B	300-08SE	1" IPS Galvanized Steel Street Elbow
Shower Valve Assembly		
C	AP600-335H	1" IPS Chrome Plated Brass Stay-Open Ball Valve, Single Activation. Furnished with stainless steel actuating arm.
Galvanized Pipe Pack		
D	AP500-170	Galvanized Steel Pipe Pack for Barrier-Free Units
	AP530-170	Orange Pipe Covers
Eyewash Valve Assembly		
E	AP600-101H	1/2" IPS Chrome Plated Brass Stay-Open Ball Valve with Powder Coated Aluminum Flag Handle
F	150-032	Powder Coated Cast Aluminum Floor Flange, 1-1/4" NPT Female Connection
G	See Page 2	Eye/Face Wash Assembly
Shower Pull Rod		
H	AP050-080	47-1/2" Stainless Steel Pull Rod
Sign		
I	AP250-008G	Emergency Safety Station Sign





Item	Part Number	Description
Spray Heads		
A	AP470-001	GS-Plus™ Spray Head Assy.
Outlet Assembly		
B	AP470-127R	(4) GS-Plus™ Spray Heads with Chrome Plated Brass Fittings for Barrier-Free Units
	BI136-02	3/8" IPS X 2" Brass Shank
Bowl		
C	100-014R	Stainless Steel Bowl for Barrier-Free Units
		<i>Note: Includes Cupped Washer and Gasket</i>
Drain Plate Assembly		
D	AP150-012B	Drain Plate Assembly for Stainless Bowls
		<i>Note: Includes Drain Plate, Cupped Washer and Gasket</i>
Waste Receptor		
E	150-066-1R	Waste Receptor with Flared Nipple Coupling and Gasket, 1-1/2" NPT Male Outlet



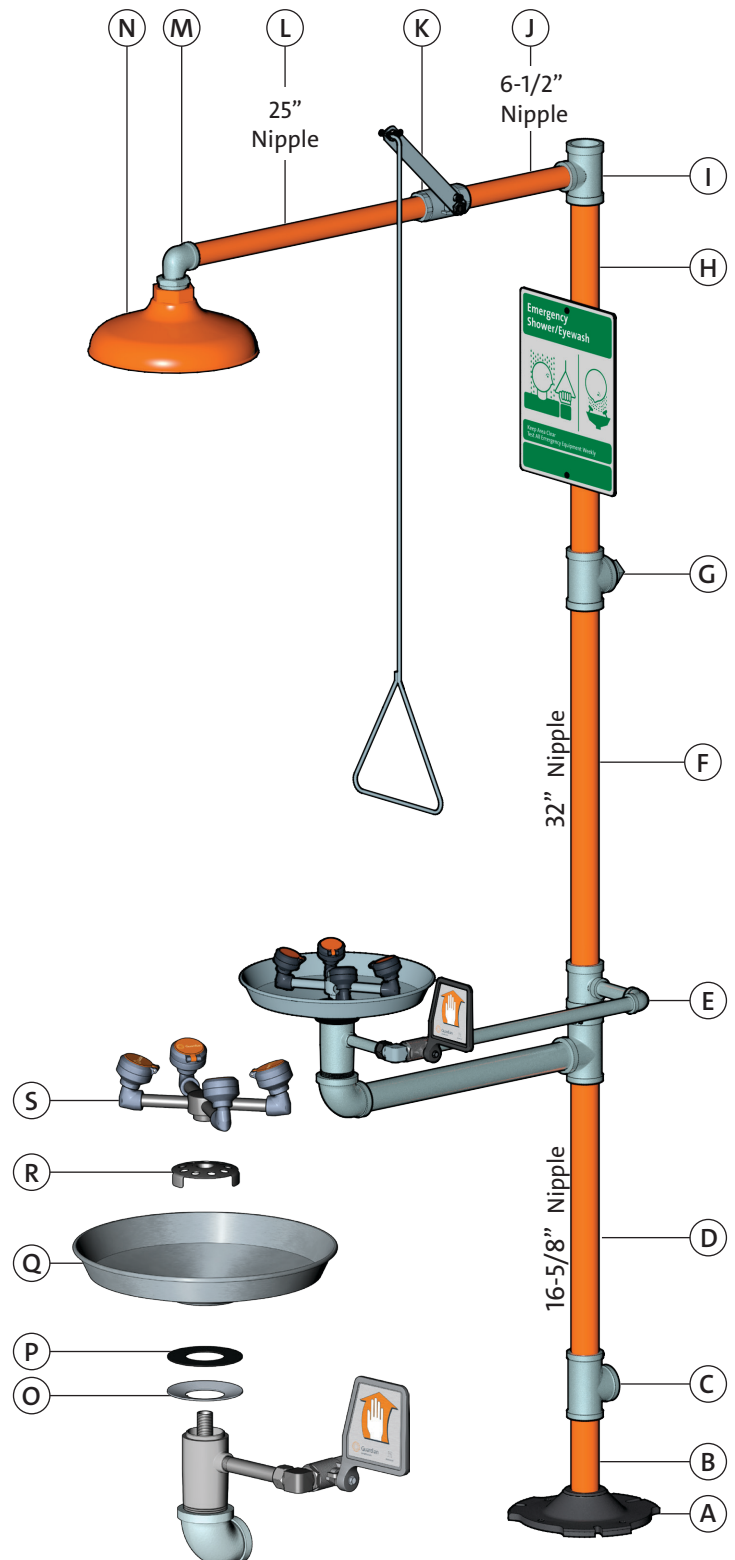


Safety stations are designed for easy assembly in the field. Essentially, these units are assembled from the “bottom up”, as described below:

1. Assemble floor flange (A), 1-1/4" IPS x 6-1/4" nipple (B), and plugged outlet tee (C). If unit has a foot treadle, the floor flange and treadle are pre-assembled. Position foot treadle for proper access by users, and tee for connection to drain. **IMPORTANT: Plugged tee (C) must be oriented with plugged end down to assure proper drainage.**
2. Assemble 1-1/4" IPS x 16-5/8" nipple (D) and frame assembly (E). Position frame assembly for proper access by users.
3. Assemble 1-1/4" IPS x 32" nipple (F) and inlet tee (G). Position tee for connection to supply. If the top vertical inlet will be employed, plug tee with supplied 1-1/4" IPS square head plug.
4. Assemble 1-1/4" IPS x 22" nipple (H) and 1-1/4" x 1" IPS reducing inlet tee (I). Position tee forward for proper location of shower. If the back horizontal inlet will be employed, plug tee with supplied 1-1/4" IPS square head plug.
5. Assemble 1" IPS x 6-1/2" nipple (J), emergency shower valve (K), 1" IPS x 25" nipple (L), elbow (M), and shower head with hex bushing (N).
6. Place cupped, stainless steel washer (O), rubber gasket (P), and bowl (Q) onto waste receptor. Center components to assure a watertight seal.
7. Thread drain plate (R) down onto mounting shank as far as possible. If necessary, rotate bowl clockwise to draw drain plate down onto mounting shank.
8. Thread eye/face wash spray head assembly (S) onto mounting shank. Position outlet heads for proper access by user.
9. Secure entire unit to floor and/or wall for stability.
10. Attach orange plastic pipe covers and sign.

Notes:

1. All threads are tapered pipe and require pipe joint compound or PTFE tape to assure watertight connection.
2. If unit is furnished with corrosion-resistant powder coating, care must be taken to avoid damaging finish during assembly. For best results, a strap wrench should be used.
3. Test the entire unit for proper operation.
4. The use of dielectric unions is required when connecting to copper supply to avoid premature corrosion.





This Guardian Equipment product is equipped with GS-Plus™ spray heads. Each head features:

- Tough polypropylene plastic construction
- Highly visible integrated nylon dust cover
- Easily accessible 1.6 GPM flow control
- Dense (60 pore per inch) polyurethane filter
- Unique design provides a consistently soft, full spray of water across a range of working pressures from 30 to 100 PSI.

Item	Part Number	Description
A	AP470-001	GS-Plus™ Spray Head (assembled)
B	AP470-002ORG-R	Dust Cover and Cap Assembly
C	470-004R	60 PPI Polyurethane Filter
D	470-005R	1.6 GPM Flow Control

