



## Product Bulletin 17-01 Recessed Laboratory Units



Guardian is pleased to introduce the latest refinement to our range of recessed laboratory units. The cabinet on these units has been redesigned so that it projects 3/8" from the surface of the wall. By adding a small projection, the edge of the unit fits flush against the wall, regardless of any unevenness in the wall itself. In addition, all screws and fasteners are concealed, further enhancing the visual attractiveness of these units.

Effective July 1, 2017, all units will incorporate the improved cabinet. *Please note that the screw holes have been eliminated from the front face of the unit. Wall framing for these units must account for mounting holes on the interior of the cabinet.*



## Product Bulletin 17-01 Recessed Laboratory Units

Twenty years ago, Guardian Equipment introduced the first emergency shower and eyewash units mounted in a stainless steel cabinet. These units incorporate an emergency shower actuator with an eye/face wash in a single, attractive stainless steel cabinet. The cabinet is recess mounted in a finished wall.

When used in place of conventional free-standing shower and eyewash stations, these units eliminate having to dedicate valuable floor space to this equipment. They also enhance the aesthetics of the installation, by concealing the unit in an attractive stainless steel cabinet.

Since their introduction, recessed units have become the most commonly used type of emergency equipment for science laboratories. Virtually every state-of-the-art lab building designed and built today utilizes recessed lab units.

Guardian has continually improved on these units since their original introduction. Enhancements have included:

- Units with a “daylight drain” as an alternative to the internal drain. For installations where it is not advantageous to connect the eyewash drain to the building drainage system, waste water drains through an opening on the front of the unit.
- Fire-rated units for installation in rated walls. These units eliminate the need to deepen the wall or double wrap the unit in drywall. Units are UL-listed for 1-hour and 2-hour rated walls.
- Units for cleanroom applications. Units are completely sealed and airtight. Cabinet seams are fully welded and polished. Units are available in both Type 304 and Type 316 stainless steel.
- Integrated audible and visual alarms to signal when a shower or eye/face wash is in use. Alarms are recessed mounted in the finished wall.
- Complete safety centers that incorporate fire extinguishers, blankets, first aid kits, defibrillators and other safety-related equipment into a single housing.

All models featuring the new return flange are listed in following table. Updated catalog sheets for the most commonly used units are included with this product bulletin. Please refer to these sheets when specifying and installing these units.

### Recessed Laboratory Units

GBF2150	GBF2462
GBF2160	GBF2472
GBF2170	GBF2552
GBF2152	GBF2562
GBF2162	GBF2572
GBF2172	GBF1670
GBF2352	GBF1671
GBF2362	GBF1672
GBF2372	GBF1735DP
GBF2452	GBF1735FDP

### Safety Centers

GSC2650A	GSC2650G
GSC2650B	GSC2650J
GSC2650D	GSC2652K

### Audio/Visual Alarms

AP280-232	AP280-237
-----------	-----------

### Thermostatic Mixing Valves

G3607LF	G3807LF
G3707LF	G3907LF



## **GBF2150** Recessed Safety Station with Drain Pan, Exposed Shower Head

**Application:** Recessed barrier-free eye/face wash and shower safety station with ceiling mounted exposed shower head and drain pan. Stainless steel cover provides attractive appearance and protects unit when not in use. When activated, cover serves as pan to collect waste water and return it into unit for drainage.

**ADA Compliance:** When installed at recommended mounting heights, unit complies with ADA requirements for accessibility by handicapped persons.

**Shower Head:** 10" diameter stainless steel with 20 GPM flow control. Furnished with vertical supply pipe and ceiling escutcheon for mounting shower head at desired height below finished ceiling.

**Shower Valve:** 1" IPS brass stay-open ball valve with stainless steel "panic bar" actuator.

**Cover/Drain Pan:** 16 gauge stainless steel combination cover and drain pan. Grasping "panic bar" handle and opening cover pulls spray head assembly down from vertical to horizontal position, activating water flow. While unit is in operation, waste water is collected in drain pan and returned into cabinet for drainage. Unit remains in operation until cover is returned to closed position.

**Eye/Face Wash Spray Head Assembly:** Two FS-Plus™ spray heads mounted on supply arms. Each spray head has individually adjustable flow control and filter to remove impurities from water flow.

**Eye/Face Wash Valve:** 1/2" IPS brass plug-type valve with O-ring seals. Furnished with in-line strainer to protect valve from debris and foreign matter.

**Mounting:** 16 gauge stainless steel cabinet with flange featuring 3/8" return for recessed mounting in wall. Unit fits in standard 3-5/8" deep wall.

**Pipe and Fittings:** Exposed pipe and escutcheon are brushed stainless steel.

**Supply:** 1" NPT female inlet.

**Waste:** 2" NPT female outlet.

**Sign:** ANSI-compliant identification sign.

**Quality Assurance:** Unit is completely assembled and water tested prior to shipment.

**U.S. Patent 5,768,721**

### Available Options

- PCC** Polished chrome plated brass shower supply nipple.
- AP250-065** Modesty Curtain
- AP280-235** Electric Light and Alarm Horn
- G3800LF** Thermostatic Mixing Valve

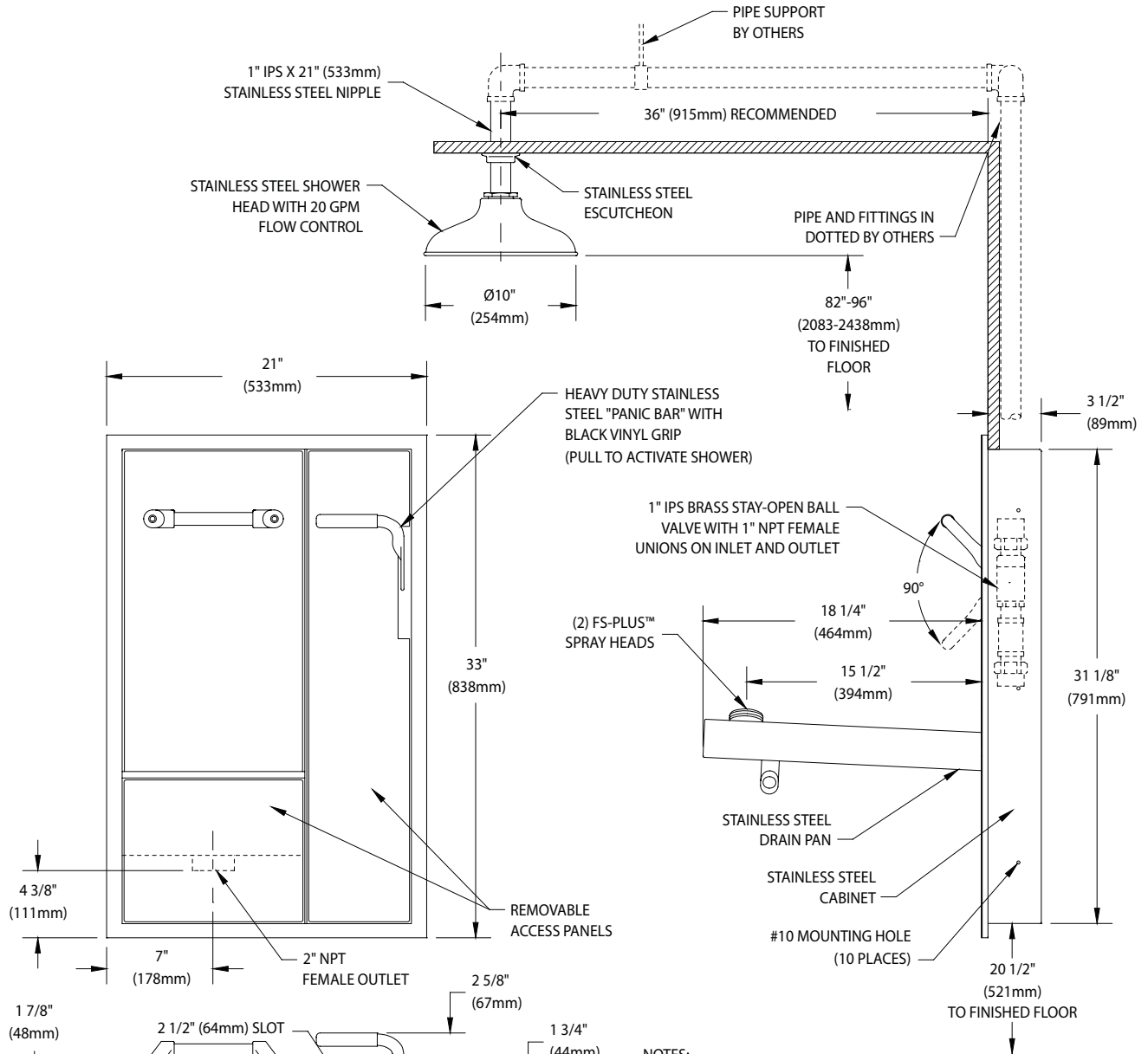


*Note: Shown with optional AP280-235 electric light and alarm horn unit (sold separately).*





## GBF2150 Recessed Safety Station with Drain Pan, Exposed Shower Head



### NOTES:

1. EACH FS-PLUS™ SPRAY HEAD HAS AN INTERNAL FLOW CONTROL AND FILTER TO REMOVE IMPURITIES FROM THE WATER FLOW.
2. UNIT IS FURNISHED WITH IN-LINE STRAINER TO PROTECT SPRAY HEADS AND VALVE COMPONENTS FROM DEBRIS IN WATER LINE.

THIS SPACE FOR ARCHITECT/ENGINEER APPROVAL

Due to continuing product improvement, the information contained in this document is subject to change without notice. All dimensions are ± 1/4" (6mm). rev. 0717





## □ **GBF2152** Recessed Safety Station with Drain Pan and Daylight Drain, Exposed Shower Head

**Application:** Recessed barrier-free eye/face wash and shower safety station with ceiling mounted exposed shower head and drain pan. Stainless steel cover provides attractive appearance and protects unit when not in use. When activated, cover serves as pan to collect waste water and return it into unit for drainage. Rather than connecting to building drainage system, unit has 1" IPS stainless steel drain on front of unit for waste water. Front drain provides for less costly installation while facilitating regular testing of unit.

**ADA Compliance:** When installed at recommended mounting heights, unit complies with ADA requirements for accessibility by handicapped persons.

**Shower Head:** 10" diameter stainless steel with 20 GPM flow control. Furnished with vertical supply pipe and ceiling escutcheon for mounting shower head at desired height below finished ceiling.

**Shower Valve:** 1" IPS brass stay-open ball valve with stainless steel "panic bar" actuator.

**Cover/Drain Pan:** 16 gauge stainless steel combination cover and drain pan. Grasping "panic bar" handle and opening cover pulls spray head assembly down from vertical to horizontal position, activating water flow. While unit is in operation, waste water is collected in drain pan and re-directed to daylight drain for drainage out the front of unit. Unit remains in operation until cover is returned to closed position.

**Eye/Face Wash Spray Head Assembly:** Two FS-Plus™ spray heads mounted on supply arms. Each spray head has individually adjustable flow control and filter to remove impurities from water flow.

**Eye/Face Wash Valve:** 1/2" IPS brass plug-type valve with O-ring seals. Furnished with in-line strainer to protect valve from debris and foreign matter.

**Mounting:** 16 gauge stainless steel cabinet with flange featuring 3/8" return for recessed mounting in wall. Unit fits in standard 3-5/8" deep wall.

**Pipe and Fittings:** Exposed pipe and escutcheon are brushed stainless steel.

**Supply:** 1" NPT female inlet.

**Waste:** 1" IPS stainless steel drain elbow on front of unit.

**Sign:** ANSI-compliant identification sign.

**Quality Assurance:** Unit is completely assembled and water tested prior to shipment.

**U.S. Patent 5,768,721**

### Available Options

- **PCC** Polished chrome plated brass shower supply nipple.
- **AP250-065** Modesty Curtain
- **AP280-235** Electric Light and Alarm Horn
- **G3800LF** Thermostatic Mixing Valve

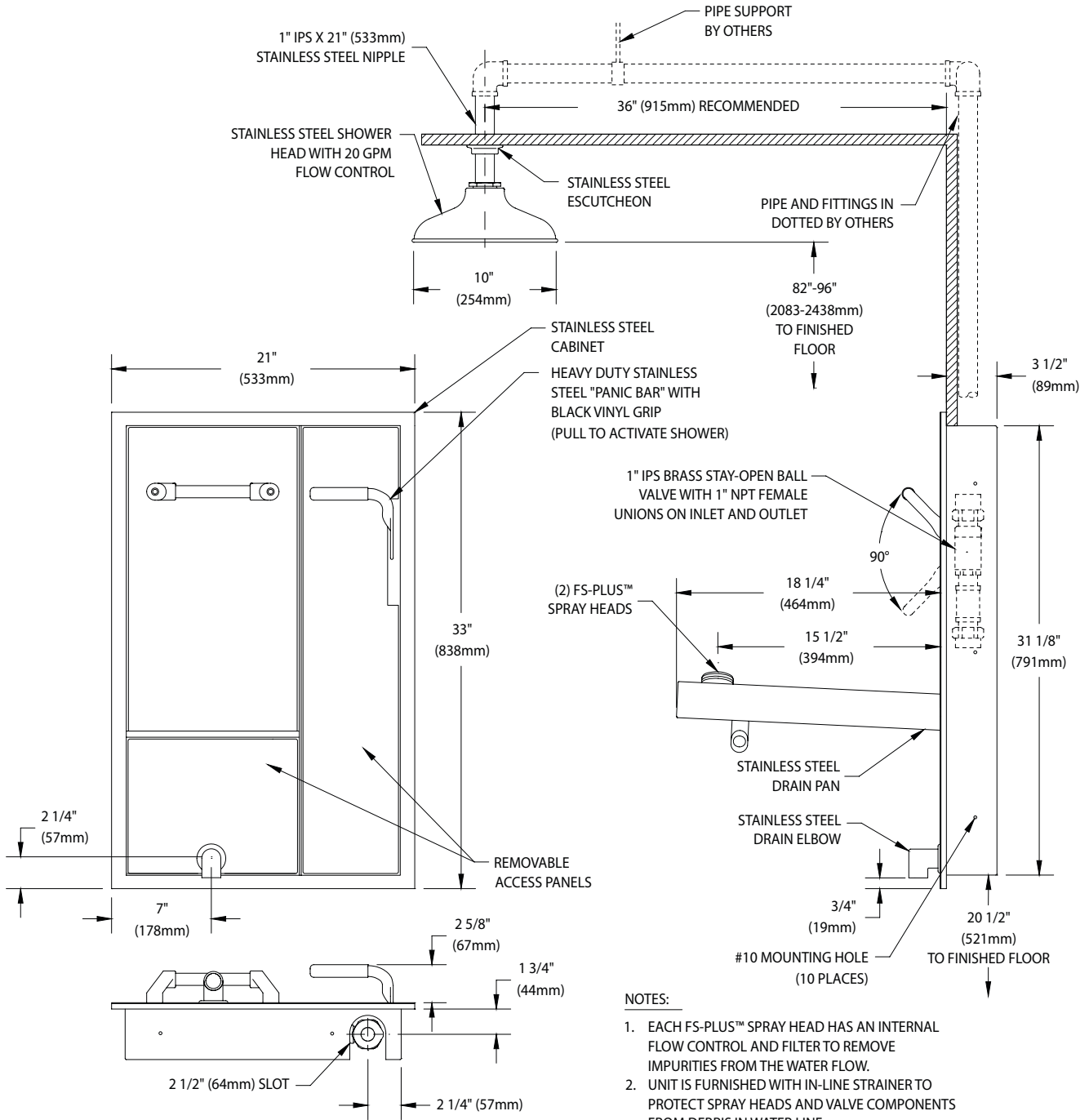


*Note: Shown with optional AP280-235 electric light and alarm horn unit (sold separately).*





## GBF2152 Recessed Safety Station with Drain Pan and Daylight Drain, Exposed Shower Head



THIS SPACE FOR ARCHITECT/ENGINEER APPROVAL

Due to continuing product improvement, the information contained in this document is subject to change without notice. All dimensions are ± 1/4" (6mm). rev. 0717





## □ **GBF2352** Recessed Safety Station with Drain Pan and Daylight Drain, Exposed Shower Head, Fire-Rated Construction

**Application:** Recessed barrier-free eye/face wash and shower safety station for use in 1- and 2-hour fire-rated walls. Unit has ceiling mounted exposed shower head and drain pan. Stainless steel cover provides attractive appearance and protects unit when not in use. When activated, cover serves as pan to collect waste water and return it into unit for drainage. Rather than connecting to building drainage system, unit has 1" IPS stainless steel drain on front of unit for waste water. Front drain provides for less costly installation while facilitating regular testing of unit.

**Fire Resistance:** Unit can be used in 1- and 2-hour fire-rated walls without compromising integrity of wall. Unit has endothermic ceramic fiber blanket around cabinet and is sealed with fire barrier caulk. Unit is UL-listed as "Through-Penetration Firestop System No. W-L-7167." Use fire barrier caulk when installing unit.

**ADA Compliance:** When installed at recommended mounting heights, unit complies with ADA requirements for accessibility by handicapped persons.

**Shower Head:** 10" diameter stainless steel with 20 GPM flow control. Furnished with vertical supply pipe and ceiling escutcheon for mounting shower head at desired height below finished ceiling.

**Shower Valve:** 1" IPS brass stay-open ball valve with stainless steel "panic bar" actuator.

**Cover/Drain Pan:** 16 gauge stainless steel combination cover and drain pan. Grasping "panic bar" handle and opening cover pulls spray head assembly down from vertical to horizontal position, activating water flow. While unit is in operation, waste water is collected in drain pan and re-directed to daylight drain for drainage out the front of unit. Unit remains in operation until cover is returned to closed position.

**Eye/Face Wash Spray Head Assembly:** Two FS-Plus™ spray heads mounted on supply arms. Each spray head has individually adjustable flow control and filter to remove impurities from water flow.

**Eye/Face Wash Valve:** 1/2" IPS brass plug-type valve with O-ring seals. Furnished with in-line strainer to protect valve from debris and foreign matter.

**Mounting:** 16 gauge stainless steel cabinet with flange featuring 3/8" return for recessed mounting in wall.

**Pipe and Fittings:** Exposed pipe and escutcheon are brushed stainless steel.

**Supply:** 1" NPT male inlet.

**Waste:** 1" IPS stainless steel drain elbow on front of unit.

**Sign:** ANSI-compliant identification sign.

**Quality Assurance:** Unit is completely assembled and water tested prior to shipment.

**U.S. Patent 5,768,721**



Note: Shown with optional AP280-235 electric light and alarm horn unit (sold separately).

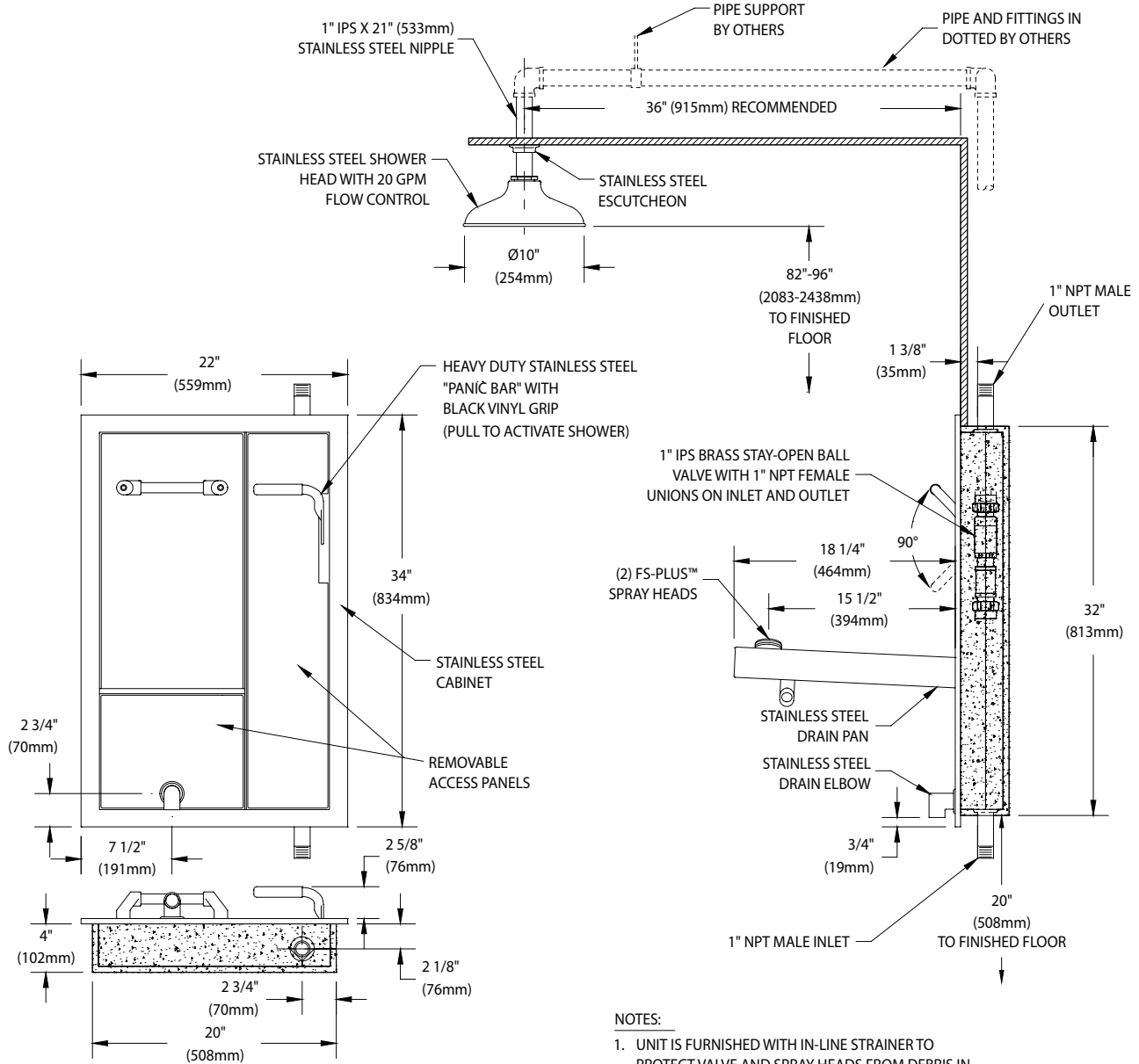
### Available Options

- **PCC** Polished chrome plated brass shower supply nipple.
- **AP250-065** Modesty Curtain
- **AP280-235** Electric Light and Alarm Horn
- **G3800LF** Thermostatic Mixing Valve





## GBF2352 Recessed Safety Station with Drain Pan and Daylight Drain, Exposed Shower Head, Fire-Rated Construction



**NOTES:**

1. UNIT IS FURNISHED WITH IN-LINE STRAINER TO PROTECT VALVE AND SPRAY HEADS FROM DEBRIS IN WATER LINE.
2. UNIT ENCAPSULATED ON FIVE SIDES WITH ENDOTHERMIC MATERIAL FOR USE IN PENETRATION FIRESTOP SYSTEMS. SEE UL FIRE RESISTANCE DIRECTORY <3KFH>



CABINETS FOR USE IN PENETRATION FIRESTOP SYSTEMS. SEE UL FIRE RESISTANCE DIRECTORY <3KFH>

THIS SPACE FOR ARCHITECT/ENGINEER APPROVAL



Due to continuing product improvement, the information contained in this document is subject to change without notice. All dimensions are ± 1/4" (6mm). rev. 0717







## □ **GBF2452** Recessed Safety Station with Drain Pan and Daylight Drain, Exposed Shower Head, Cleanroom Construction

**Application:** Recessed barrier-free eye/face wash and shower safety station for use in cleanrooms. Unit is constructed in Type 304 stainless steel and meets cleanroom requirements, making it ideal for use in semiconductor, electronics and pharmaceutical applications. Unit has ceiling mounted exposed shower head and drain pan. Stainless steel cover provides attractive appearance and protects unit when not in use. When activated, cover serves as pan to collect waste water and return it into unit for drainage. Rather than connecting to building drainage system, unit has 1" IPS stainless steel drain on front of unit for waste water. Front drain provides for less costly installation while facilitating regular testing of unit.

**Cleanroom Construction:** Unit is completely sealed and airtight. Covers conceal all openings on front of unit. Supply nipples on inlet and outlet of shower valve are sealed with grommets. All seams in cabinet are fully welded and polished.

**ADA Compliance:** When installed at recommended mounting heights, unit complies with ADA requirements for accessibility by handicapped persons.

**Shower Head:** 10" diameter stainless steel with 20 GPM flow control. Furnished with vertical supply pipe and ceiling escutcheon for mounting shower head at desired height below finished ceiling.

**Shower Valve:** 1" IPS brass stay-open ball valve with stainless steel "panic bar" actuator.

**Cover/Drain Pan:** 16 gauge stainless steel combination cover and drain pan. Grasping "panic bar" handle and opening cover pulls spray head assembly down from vertical to horizontal position, activating water flow. While unit is in operation, waste water is collected in drain pan and re-directed to daylight drain for drainage out the front of unit. Unit remains in operation until cover is returned to closed position.

**Eye/Face Wash Spray Head Assembly:** Two FS-Plus™ spray heads mounted on supply arms. Each spray head has individually adjustable flow control and filter to remove impurities from water flow.

**Eye/Face Wash Valve:** 1/2" IPS brass plug-type valve with O-ring seals. Furnished with in-line strainer to protect valve from debris and foreign matter.

**Mounting:** Type 304 stainless steel cabinet with flange featuring 3/8" return for recessed mounting in wall. Unit fits in standard 3-5/8" deep wall.

**Pipe and Fittings:** Exposed pipe and escutcheon are brushed stainless steel.

**Supply:** 1" NPT male inlet.

**Waste:** 1" IPS stainless steel drain elbow on front of unit.

**Sign:** ANSI-compliant identification sign.

**Quality Assurance:** Unit is completely assembled and water tested prior to shipment.

**U.S. Patent 5,768,721**



Note: Shown with optional AP280-235 electric light and alarm horn unit (sold separately).

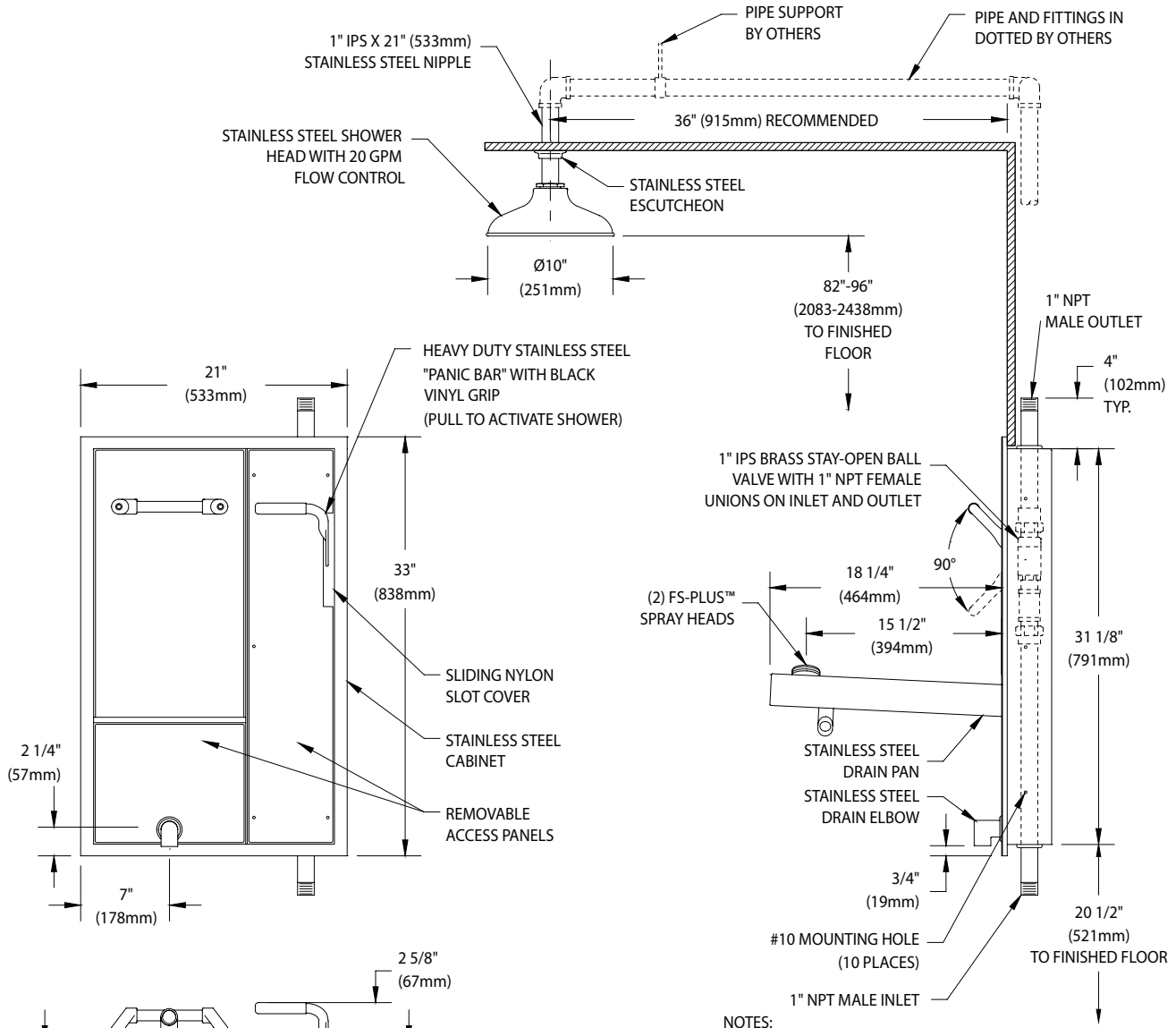
### Available Options

- **AP250-065** Modesty Curtain
- **AP280-235** Electric Light and Alarm Horn
- **G3800LF** Thermostatic Mixing Valve





## GBF2452 Recessed Safety Station with Drain Pan and Daylight Drain, Exposed Shower Head, Cleanroom Construction



### NOTES:

1. EACH FS-PLUS™ SPRAY HEAD HAS AN INTERNAL FLOW CONTROL AND FILTER TO REMOVE IMPURITIES FROM THE WATER FLOW.
2. UNIT IS FURNISHED WITH IN-LINE STRAINER TO PROTECT SPRAY HEADS AND VALVE COMPONENTS FROM DEBRIS IN WATER LINE.
3. ALL HOUSING SEAMS ARE WELDED SHUT TO PREVENT AIR PASSAGE.

THIS SPACE FOR ARCHITECT/ENGINEER APPROVAL

Due to continuing product improvement, the information contained in this document is subject to change without notice. All dimensions are ± 1/4" (6mm). rev. 0717





# Guardian

## □ **GBF2552** Recessed Safety Station with Drain Pan and Daylight Drain, Exposed Shower Head, Cleanroom Construction, Type 316 Stainless Steel

**Application:** Recessed barrier-free eye/face wash and shower safety station for use in cleanrooms. Unit is constructed in Type 316 stainless steel for superior corrosion resistance and meets cleanroom requirements, making it ideal for use in semiconductor, electronics, pharmaceutical and washdown applications. Unit has ceiling mounted exposed shower head and drain pan. Stainless steel cover provides attractive appearance and protects unit when not in use. When activated, cover serves as pan to collect waste water and return it into unit for drainage. Rather than connecting to building drainage system, unit has 1" IPS stainless steel drain on front of unit for waste water. Front drain provides for less costly installation while facilitating regular testing of unit.

**Cleanroom Construction:** Unit is completely sealed and airtight. Covers conceal all openings on front of unit. Supply nipples on inlet and outlet of shower valve are sealed with grommets. All seams in cabinet are fully welded and polished.

**ADA Compliance:** When installed at recommended mounting heights, unit complies with ADA requirements for accessibility by handicapped persons.

**Shower Head:** 10" diameter stainless steel with 20 GPM flow control. Furnished with vertical supply pipe and ceiling escutcheon for mounting shower head at desired height below finished ceiling.

**Shower Valve:** 1" IPS brass stay-open ball valve with stainless steel "panic bar" actuator.

**Cover/Drain Pan:** 16 gauge stainless steel combination cover and drain pan. Grasping "panic bar" handle and opening cover pulls spray head assembly down from vertical to horizontal position, activating water flow. While unit is in operation, waste water is collected in drain pan and re-directed to daylight drain for drainage out the front of unit. Unit remains in operation until cover is returned to closed position.

**Eye/Face Wash Spray Head Assembly:** Two FS-Plus™ spray heads mounted on supply arms. Each spray head has individually adjustable flow control and filter to remove impurities from water flow.

**Eye/Face Wash Valve:** 1/2" IPS brass plug-type valve with O-ring seals. Furnished with in-line strainer to protect valve from debris and foreign matter.

**Mounting:** Type 316 stainless steel cabinet with flange featuring 3/8" return for recessed mounting in wall. Unit fits in standard 3-5/8" deep wall.

**Pipe and Fittings:** Exposed pipe and escutcheon are brushed stainless steel.

**Supply:** 1" NPT male inlet.

**Waste:** 1" IPS stainless steel drain elbow on front of unit.

**Sign:** ANSI-compliant identification sign.

**Quality Assurance:** Unit is completely assembled and water tested prior to shipment.

**U.S. Patent 5,768,721**



*Note: Shown with optional AP280-235 electric light and alarm horn unit (sold separately).*

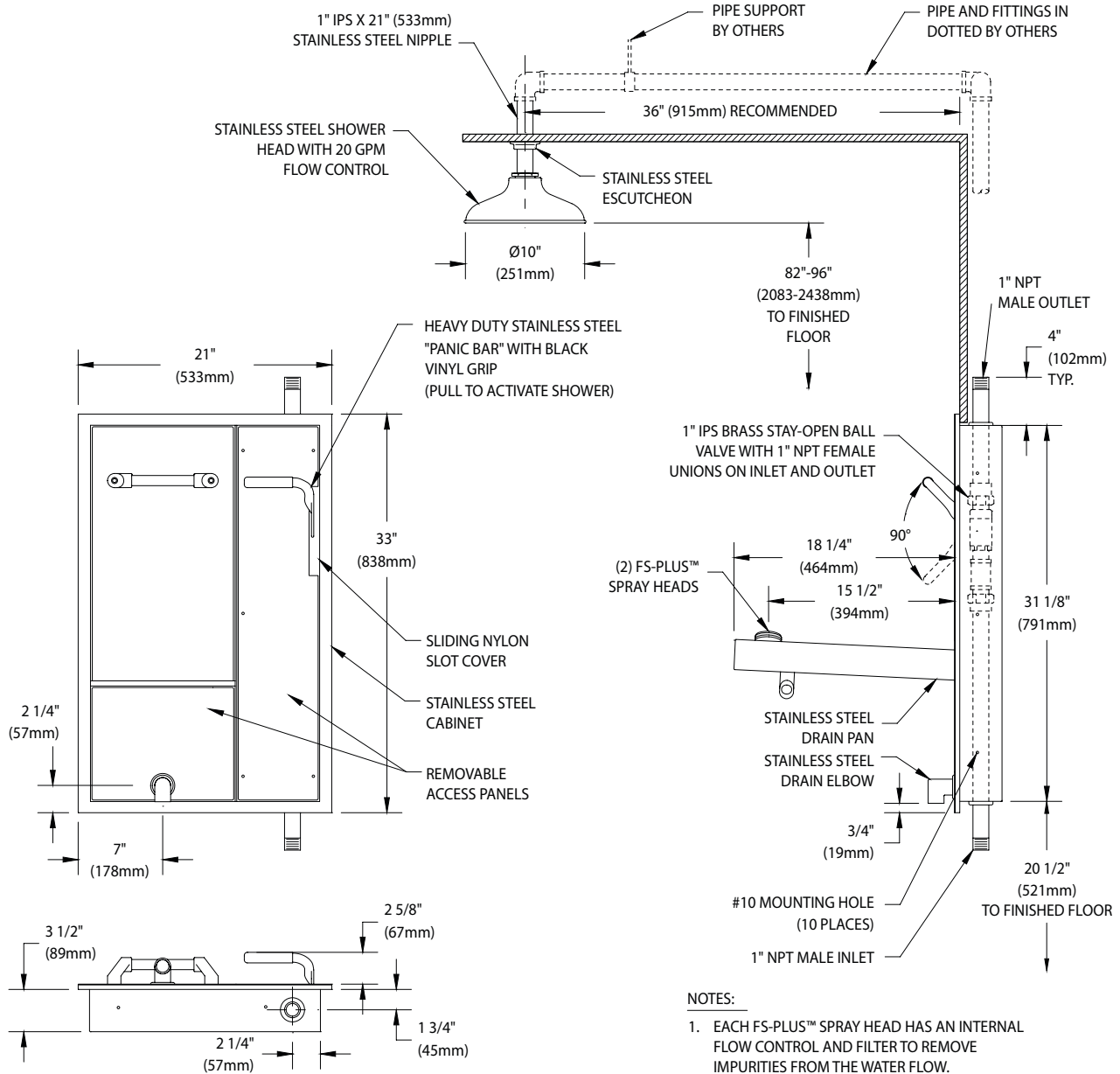
### Available Options

- **AP250-065** Modesty Curtain
- **AP280-235** Electric Light and Alarm Horn
- **G3800LF** Thermostatic Mixing Valve





## GBF2552 Recessed Safety Station with Drain Pan and Daylight Drain, Exposed Shower Head, Cleanroom Construction, Type 316 Stainless Steel



### NOTES:

1. EACH FS-PLUS™ SPRAY HEAD HAS AN INTERNAL FLOW CONTROL AND FILTER TO REMOVE IMPURITIES FROM THE WATER FLOW.
2. UNIT IS FURNISHED WITH IN-LINE STRAINER TO PROTECT SPRAY HEADS AND VALVE COMPONENTS FROM DEBRIS IN WATER LINE.
3. ALL HOUSING SEAMS ARE WELDED SHUT TO PREVENT AIR PASSAGE.

THIS SPACE FOR ARCHITECT/ENGINEER APPROVAL



Due to continuing product improvement, the information contained in this document is subject to change without notice. All dimensions are ± 1/4" (6mm). rev. 0717

