



- GFR1814** Freeze-Resistant Eyewash, Wall Mounted, Stainless Steel Bowl
- GFR1814P** Freeze-Resistant Eyewash, Wall Mounted, Plastic Bowl



**Application:** Freeze-resistant eyewash for wall mounting. Valve and supply line are located behind wall in heated area to prevent freezing. Self-draining valve permits water to drain completely from unit after use. Since unit is intended for use in cold weather conditions, consideration should be given to supplying unit with tempered water in accordance with ANSI Z358.1-2014. See “Tempering Valves” section for more information.

**Spray Head Assembly:** Two GS-Plus™ spray heads. Each head has a “flip top” dust cover, internal flow control and filter to remove impurities from the water flow.

**Valve:** 1/2" IPS chrome plated brass three-way self-draining stay-open ball valve. Valve is US-made with chrome plated brass ball and PTFE seals. Valve has 1/2" NPT female drain port. Valve handle is mounted on extension rod that projects through wall. Specify wall thickness when ordering.

**Bowl:** 11-1/8" diameter stainless steel (GFR1814) or 11-3/4" orange ABS plastic (GFR1814P).

**Mounting:** Heavy duty cast aluminum wall bracket with corrosion resistant powder coated finish.

**Supply:** 1/2" NPT female inlet.

**Waste:** 1-1/4" NPT female outlet.

**Sign:** ANSI-compliant identification sign.

**Quality Assurance:** Unit is completely assembled and water tested prior to shipment.

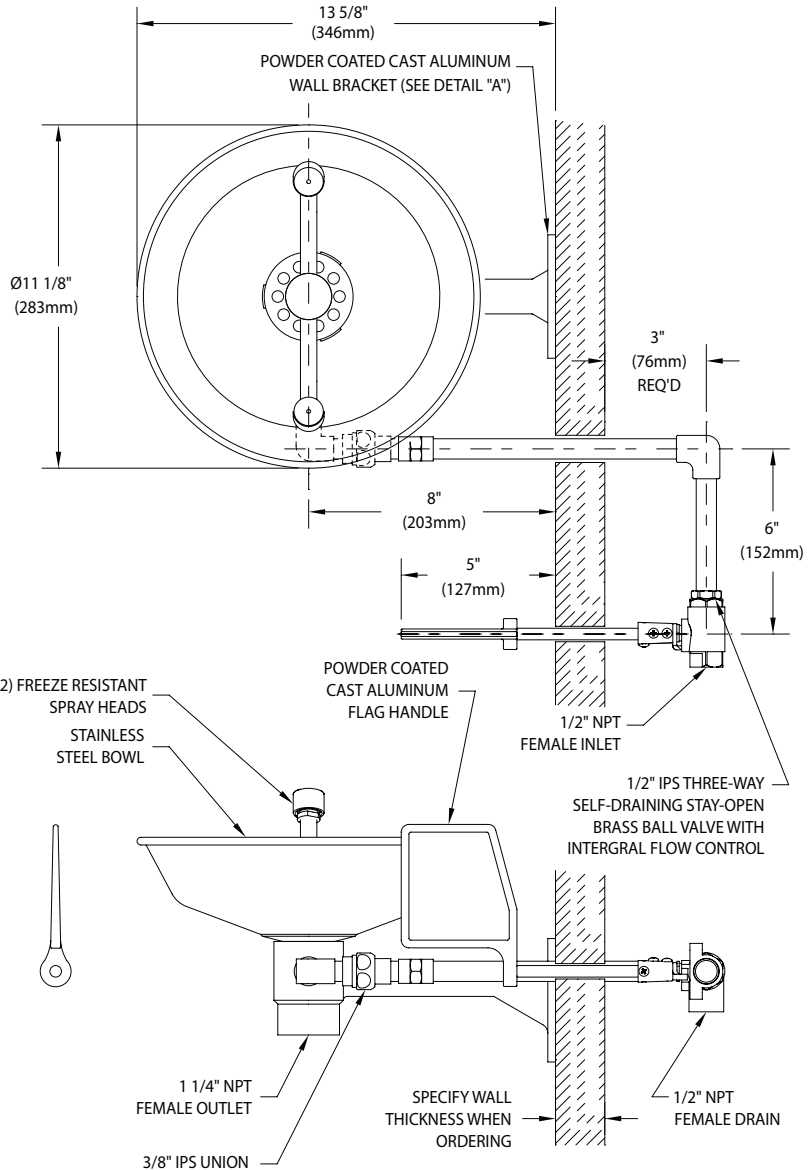
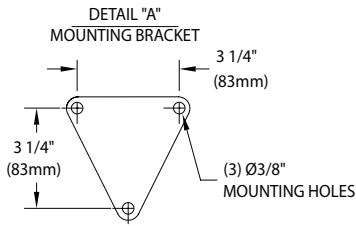
### Available Options

- GRN** Green ABS plastic bowl.
- YEL** Yellow ABS plastic bowl.
- TP** 1-1/2" OD Chrome plated brass tailpiece.
- G6020** Thermostatic mixing valve precisely blends hot and cold water to deliver tepid water as required by ANSI Z358.1-2014. Refer to “Tempering Valves” section for complete technical and product selection information.



**GFR1814** Freeze-Resistant Eyewash, Wall Mounted, Stainless Steel Bowl

**GFR1814P** Freeze-Resistant Eyewash, Wall Mounted, Plastic Bowl



**NOTES:**

1. EACH FREEZE RESISTANT SPRAY HEAD HAS FLOAT OFF DUST COVER ATTACHED BY A BEADED CHAIN.
2. PROVIDE 7/16" (11mm) WALL OPENING FOR VALVE EXTENSION ROD AND 3/4" (19mm) WALL OPENING FOR SUPPLY PIPE.
3. FLAG HANDLE INDEXES COUNTER-CLOCKWISE FOR VALVE ACTIVATION.

THIS SPACE FOR ARCHITECT/ENGINEER APPROVAL

Due to continuing product improvement, the information contained in this document is subject to change without notice. All dimensions are  $\pm 1/4"$  (6mm). rev. 090518

Sign Included

