

- **GBF1735DP** Swing-Down Eye/Face Wash with Drain Pan, Recess Mounted
- **GBF1736DP** Swing-Down Eye/Face Wash with Drain Pan, Surface Mounted

APPLICATION: Wall mounted barrier-free swing-down eye/face wash with drain pan. Stainless steel cover provides attractive appearance and protects unit when not in use. When activated, cover serves as pan to collect waste water and return it into unit for drainage. GBF1735DP is furnished with stainless steel cabinet that is recess mounted in a finished wall. GBF1736DP is furnished with stainless steel cabinet that is surface mounted on a wall.

ADA COMPLIANCE: When installed at recommended mounting height, unit complies with ADA requirements for accessibility by handicapped persons.

SPRAY HEAD ASSEMBLY: Two FS-Plus™ spray heads mounted on supply arms. Each spray head has individually adjustable flow control and filter to remove impurities from water.

COVER/DRAIN PAN: 16 gauge stainless steel combination cover and drain pan. Grasping “panic bar” handle and opening cover pulls spray head assembly down from vertical to horizontal position, activating water flow. While unit is in operation, waste water is collected in drain pan and returned into cabinet for drainage. Unit remains in operation until cover is returned to closed position.

VALVE: 1/2" IPS brass plug-type valve with O-ring seals. Furnished with in-line strainer to protect valve and spray heads from debris and foreign matter.

MOUNTING: 16 gauge stainless steel cabinet. GBF1735DP cabinet has flanged rim for recessed mounting in wall. Unit fits in standard 3 5/8" deep wall. GBF1736DP cabinet is designed for mounting on wall surface.

SUPPLY: 1/2" NPT female inlet.

WASTE: 2" NPT female outlet.

SIGN: ANSI-compliant identification sign.

QUALITY ASSURANCE: Unit is completely assembled and water tested prior to shipment

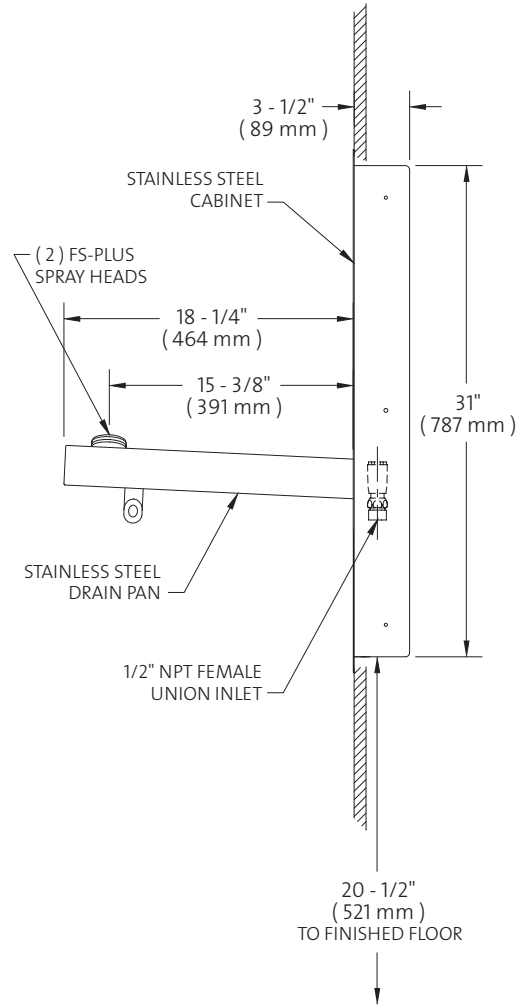
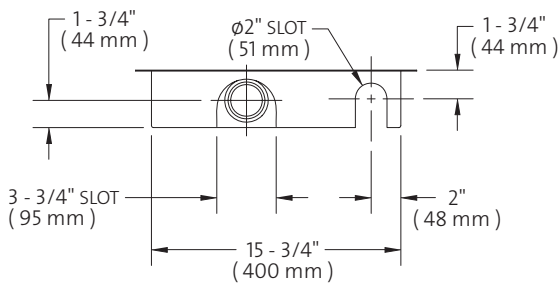
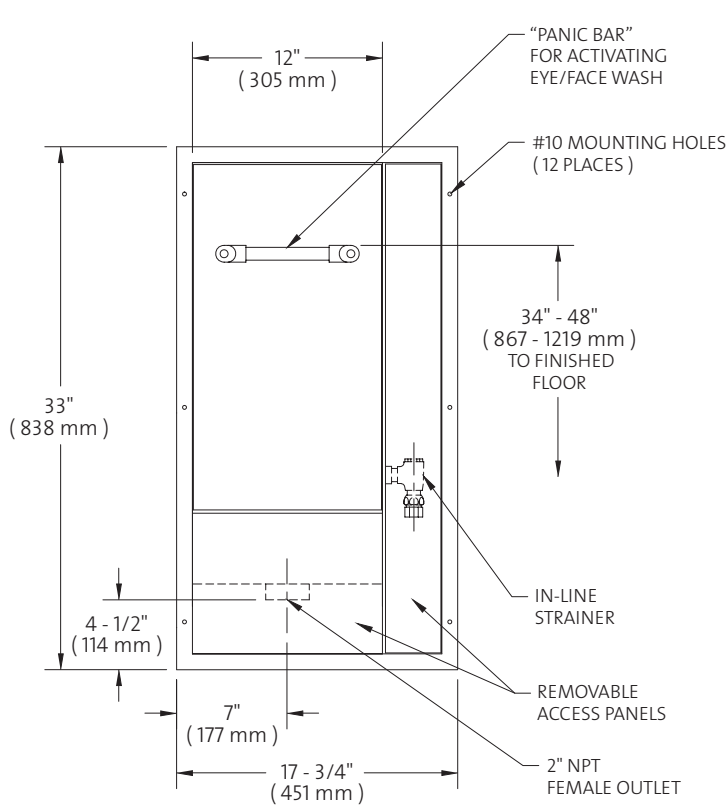
Available Options

- **AP280-235 ELECTRIC LIGHT AND ALARM HORN**
Flashing light/alarm horn unit is recess mounted in finished wall. Light is illuminated and horn sounds when shower is activated. Includes additional leads for remote monitoring.
- **TMV** AP3600 thermostatic mixing valve precisely blends hot and cold water to deliver tepid water as required by ANSI Z358.1-2009.





- **GBF1735DP** Swing-Down Eye/Face Wash with Drain Pan, Recess Mounted
- **GBF1736DP** Swing-Down Eye/Face Wash with Drain Pan, Surface Mounted



NOTES:

1. EACH FS-PLUS SPRAY HEAD HAS AN ADJUSTABLE FLOW CONTROL AND FILTER TO REMOVE IMPURITIES FROM THE WATER FLOW.
2. UNIT IS FURNISHED WITH IN-LINE STRAINER TO PROTECT SPRAY HEADS AND VALVE COMPONENTS FROM DEBRIS IN WATER LINE.
3. INLET CAN BE POSITIONED TO SUPPLY UNIT FROM TOP OR BOTTOM.

THIS SPACE FOR ARCHITECT/ENGINEER APPROVAL

Due to continuing product improvement, the information contained in this document is subject to change without notice. All dimensions are $\pm 1/4"$ (6mm). rev. 0112

Sign Included

