



- G1825HFC** Eyewash, Pedestal Mounted, Hand and Foot Control, Stainless Steel Bowl
- G1825P-HFC** Eyewash, Pedestal Mounted, Hand and Foot Control, Plastic Bowl

**APPLICATION:** Free standing, pedestal mounted eyewash. Water flow is activated by either flag handle or foot treadle. Two GS-Plus™ spray heads deliver flood of water for rinsing eyes.

**SPRAY HEAD ASSEMBLY:** Two GS-Plus™ spray heads. Each head has a “flip top” dust cover, internal flow control and filter to remove impurities from the water flow.

**VALVE:** 1/2" IPS chrome plated brass stay-open ball valve. Valve is US-made with chrome plated brass ball and Teflon® seals. Valve is activated by flag handle or foot treadle. Unit remains in operation until handle is returned to closed position.

**BOWL:** 11 1/2" diameter. Bowl is stainless steel (G1825HFC) or orange ABS plastic (G1825P-HFC).

**PIPE AND FITTINGS:** Schedule 40 galvanized steel. Furnished with orange polyethylene covers for vertical piping for high visibility and corrosion resistance.

**SUPPLY:** 1/2" NPT female inlet.

**WASTE:** 1 1/4" NPT female outlet.

**SIGN:** ANSI-compliant identification sign.

**QUALITY ASSURANCE:** Valve, bowl and spray head assembly is factory assembled and water tested prior to shipment.

### Available Options

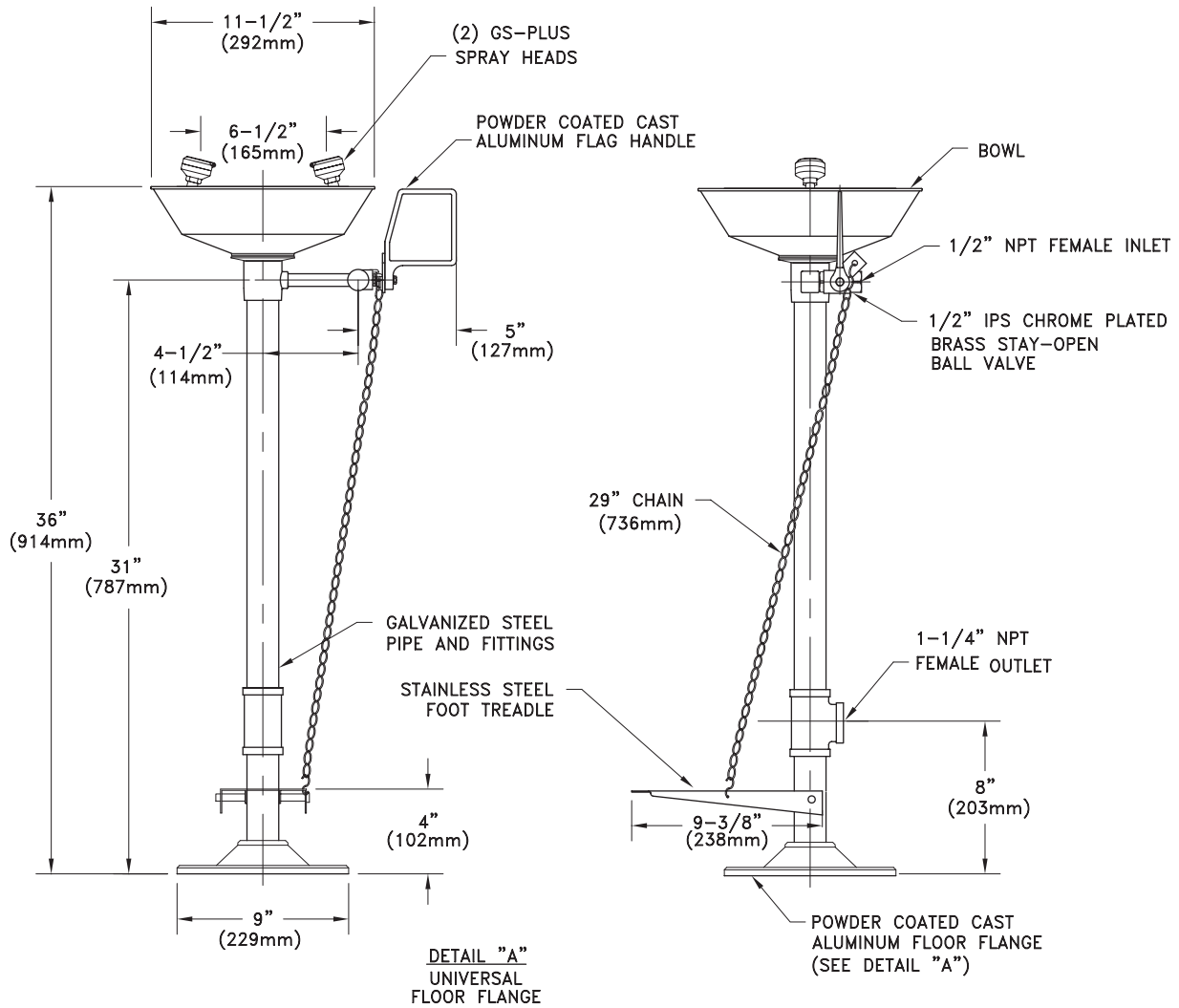
- BC** Stainless steel bowl cover (G1825HFC only). Cover protects unit against contaminants. Cover is automatically raised when unit is activated.
- DC** Stainless steel dust cover for each spray head.
- HS** Auxiliary hand-held drench hose for rinsing eyes, face or body.
- SC** Self-closing ball valve. *Note: Eyewashes with self-closing valves do not comply with ANSI Z358.1-2009.*
- TMV** G3600 thermostatic mixing valve precisely blends hot and cold water to deliver warm (tepid) water as required by ANSI Z358.1-2009. Refer to “Tempering Units” section for complete technical and product selection information.





□ **G1825HFC** Eyewash, Pedestal Mounted, Hand and Foot Control, Stainless Steel Bowl

□ **G1825P-HFC** Eyewash, Pedestal Mounted, Hand and Foot Control, Plastic Bowl



Ø7/16" MOUNTING SLOTS ON 7-5/8" BOLT CIRCLE

**NOTE:**  
EACH GS-PLUS SPRAY HEAD HAS A "FLIP-TOP" DUST COVER, INTERNAL FLOW CONTROL AND FILTER TO REMOVE IMPURITIES FROM THE WATER FLOW.

THIS SPACE FOR ARCHITECT/ENGINEER APPROVAL

Due to continuing product improvement, the information contained in this document is subject to change without notice. All dimensions are ± 1/4" (6mm). rev. 0112

Sign Included

