



- G1822** Eyewash, Deck Mounted, Stainless Steel Bowl
- G1822P** Eyewash, Deck Mounted, Plastic Bowl



APPLICATION: Eyewash for exposed mounting on countertop. Two GS-Plus™ spray-type spray heads deliver a flood of water for rinsing eyes.

SPRAY HEAD ASSEMBLY: Two GS-Plus™ spray heads. Each head has a “flip top” dust cover, internal flow control and filter to remove impurities from the water flow.

VALVE: 1/2" IPS chrome plated brass stay-open ball valve. Valve is US-made with chrome plated brass ball and Teflon® seals.

BOWL: 11 1/2" diameter. Bowl is stainless steel (G1822) or orange ABS plastic (G1822P).

MOUNTING: Furnished with mounting shanks, locknuts and washers for mounting on countertop.

SUPPLY: 1/2" NPT male inlet.

WASTE: 1 1/4" NPT male outlet.

SIGN: ANSI-compliant identification sign.

QUALITY ASSURANCE: Unit is completely assembled and water tested prior to shipment.

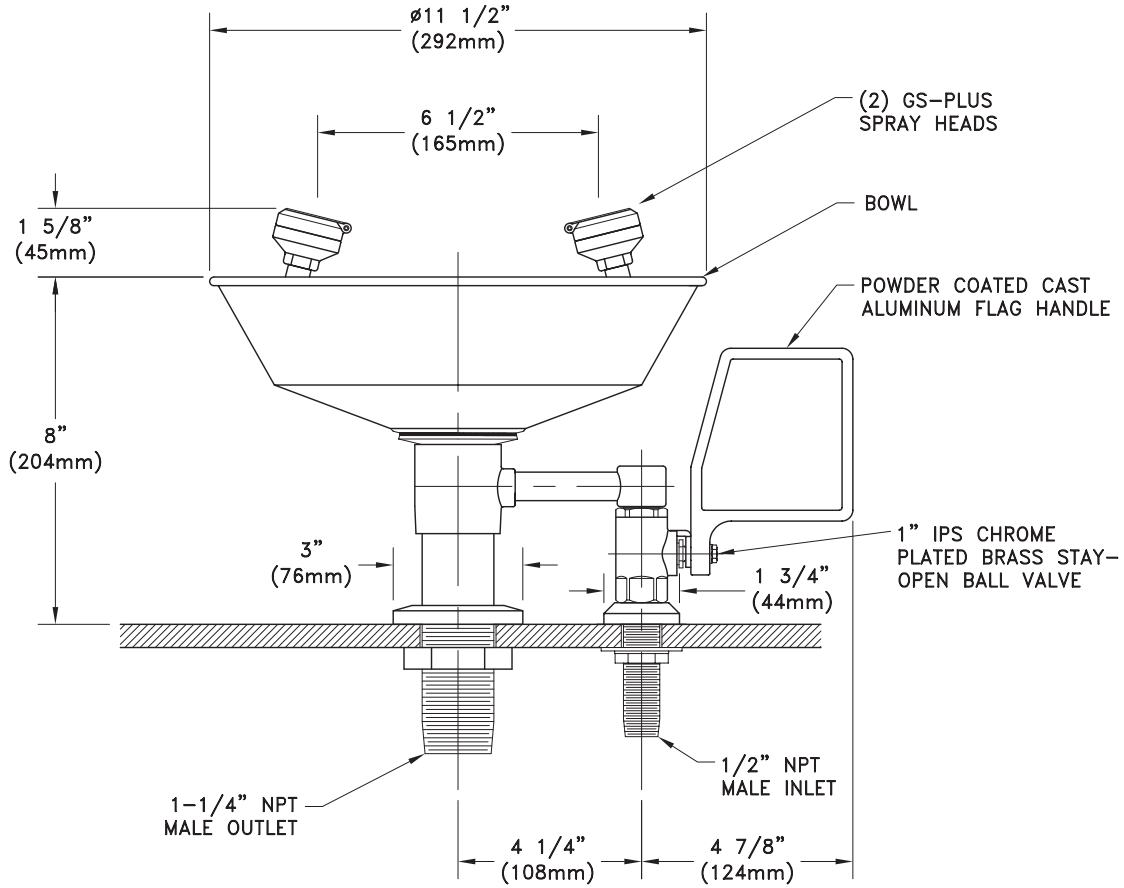
Available Options

- DC** Stainless steel dust cover for each spray head.
- SC** Self-closing ball valve. *Note: Eyewashes with self-closing valves do not comply with ANSI Z358.1-2009.*
- TMV** G3600 thermostatic mixing valve precisely blends hot and cold water to deliver warm (tepid) water as required by ANSI Z358.1-2009. Refer to “Tempering Units” section for complete technical and product selection information.





- **G1822** Eyewash, Deck Mounted, Stainless Steel Bowl
- **G1822P** Eyewash, Deck Mounted, Plastic Bowl



NOTES:

1. EACH GS-PLUS SPRAY HEAD HAS A "FLIP-TOP" DUST COVER, INTERNAL FLOW CONTROL AND FILTER TO REMOVE IMPURITIES FROM THE WATER FLOW.
2. UNIT FURNISHED COMPLETE WITH HARDWARE FOR MOUNTING ON COUNTERTOPS FROM 1/8" TO 1-1/2" THICK.
3. PROVIDE 1" HOLE FOR SUPPLY AND 1-7/8" HOLE FOR DRAIN.

THIS SPACE FOR ARCHITECT/ENGINEER APPROVAL

Due to continuing product improvement, the information contained in this document is subject to change without notice. All dimensions are $\pm 1/4$ " (6mm). rev. 0112

Sign Included

