



- G1808** Eyewash, Recess Deck Mounted, Ball Valve with Flag Handle
- G1810** Eyewash, Recess Deck Mounted, Push-Down Valve



**G1808**



**G1810**

**APPLICATION:** Eyewash for recessed mounting in countertop. Two GS-Plus™ spray-type spray heads deliver a flood of water for rinsing eyes.

**SPRAY HEAD ASSEMBLY:** Two GS-Plus™ spray heads. Each head has a “flip top” dust cover, internal flow control and filter to remove impurities from the water flow.

**VALVE:** 1/2" IPS brass stay-open ball valve. G1808 has valve mounted above counter and activated by flag handle. G1810 has valve mounted below counter and activated by push-down knob.

**BOWL:** 13" diameter flanged stainless steel bowl for recessed mounting in countertop. Furnished with all hardware necessary for installation in counter.

**VALVE SUPPLY:** 1/2" NPT male inlet.

**WASTE:** 1 1/4" NPT female outlet.

**SIGN:** ANSI-compliant identification sign.

**QUALITY ASSURANCE:** Unit is completely assembled and water tested prior to shipment.

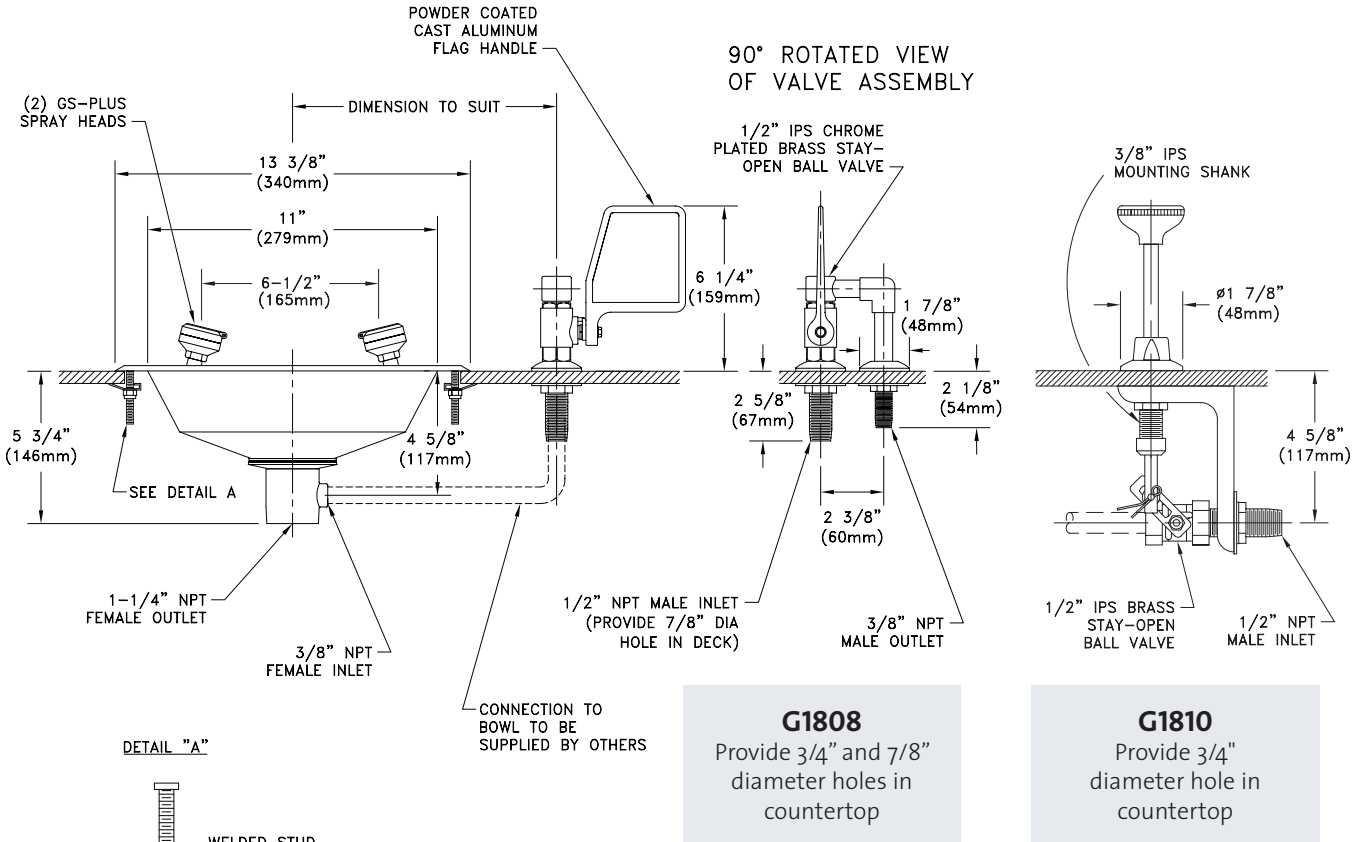
### Available Options

- DC** Stainless steel dust cover for each spray head.
- T** Chrome plated brass tailpiece and trap with 1 1/2" IPS waste connection.
- TP** 1 1/2" OD chrome plated brass tailpiece.
- TMV** G3600 thermostatic mixing valve precisely blends hot and cold water to deliver warm (tepid) water as required by ANSI Z358.1-2009. Refer to “Tempering Units” section for complete technical and product selection information.



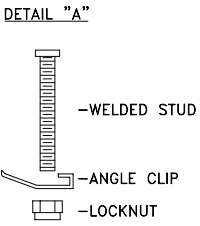


- G1808** Eyewash, Recess Deck Mounted, Ball Valve with Flag Handle
- G1810** Eyewash, Recess Deck Mounted, Push-Down Valve



**G1808**  
Provide 3/4" and 7/8" diameter holes in countertop

**G1810**  
Provide 3/4" diameter hole in countertop



**HOLE DIAMETERS:**  
BOWL: 12-1/2"  
3/8" SHANK: 3/4"  
1/2" SHANK: 1/2"

**NOTES:**  
1. EACH FS-PLUS SPRAY HEAD HAS A "FLIP-TOP" DUST COVER, INTERNAL FLOW CONTROL AND FILTER TO REMOVE IMPURITIES FROM THE WATER FLOW.  
2. UNIT FURNISHED COMPLETE WITH HARDWARE FOR MOUNTING ON COUNTERTOPS FROM 1/8" UP TO 1-1/2" THICK.

THIS SPACE FOR ARCHITECT/ENGINEER APPROVAL

Due to continuing product improvement, the information contained in this document is subject to change without notice. All dimensions are ± 1/4" (6mm). rev. 0112

