



G1782 Eye/Face Wash, Wall Mounted, All-PVC Construction



APPLICATION: Eye/face wash for wall mounting. Constructed entirely in PVC and PVC-coated brass. Ideal for use in industrial environments where harsh acids or caustics are present. Two large FS-Plus™ spray-type outlet heads deliver a flood of water for rinsing eyes and face.

SPRAY HEAD ASSEMBLY: Two FS-Plus™ spray heads. Each head has a “flip top” dust cover, internal flow control and filter to remove impurities from the water flow.

VALVE: 1/2" IPS PVC-coated brass stay-open ball valve. Valve is US-made with chrome plated brass ball and Teflon® seals.

BOWL: 11 1/2" diameter orange ABS plastic.

MOUNTING: Heavy duty PVC wall bracket.

SUPPLY: 1/2" NPT female inlet.

WASTE: 1 1/2" socket weld female outlet.

SIGN: ANSI-compliant identification sign.

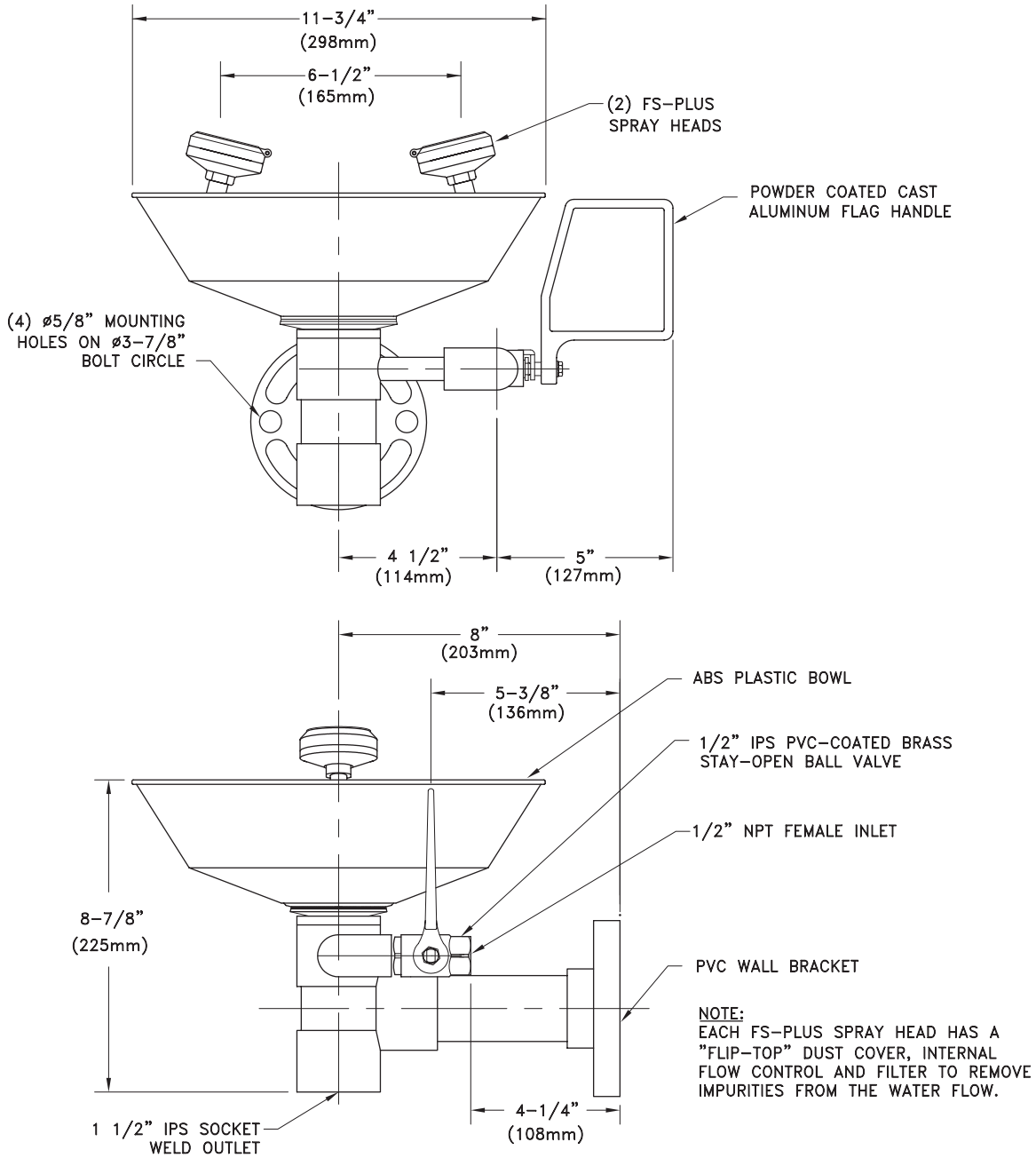
QUALITY ASSURANCE: Unit is completely assembled and water tested prior to shipment.

Available Options

- GRN** Green ABS plastic bowl.
- YEL** Yellow ABS plastic bowl.
- HS** Auxiliary hand-held drench hose for rinsing eyes, face or body.
- SC** Self-closing ball valve. *Note: Eye/face washes with self-closing valves do not comply with ANSI Z358.1-2009.*
- TMV** G3600 thermostatic mixing valve precisely blends hot and cold water to deliver warm (tepid) water as required by ANSI Z358.1-2009. Refer to “Tempering Units” section for complete technical and product selection information.



□ G1782 Eye/Face Wash, Wall Mounted, All-PVC Construction



THIS SPACE FOR ARCHITECT/ENGINEER APPROVAL

Due to continuing product improvement, the information contained in this document is subject to change without notice. All dimensions are $\pm 1/4$ " (6mm). rev. 0112

Sign Included

