



□ **G1629** Emergency Shower, Recess Mounted, Stainless Steel Shower Head



Pull rod rotated 90° for viewing.

APPLICATION: Emergency shower for recess mounting in a finished ceiling or soffit. Shower is activated by rigid pull rod.

SHOWER HEAD: 10" diameter with flange for flush mounting in ceiling. Shower head is stainless steel with stainless steel face plate.

VALVE: 1" IPS brass stay-open ball valve. Valve is US-made with chrome plated brass ball and Teflon® seals. Furnished with stainless steel actuating arm, 43" stainless steel pull rod and stainless steel ceiling guide plate.

PIPE AND FITTINGS: 1" IPS galvanized steel.

SUPPLY: 1" NPT female inlet.

SIGN: ANSI-compliant identification sign.

NOTE: ANSI Z358.1-2009 provides that shower heads be installed no more than 96" above the finished floor. This unit should therefore not be installed in ceilings over 8 feet. For higher ceiling heights, we recommend the G1658 shower.

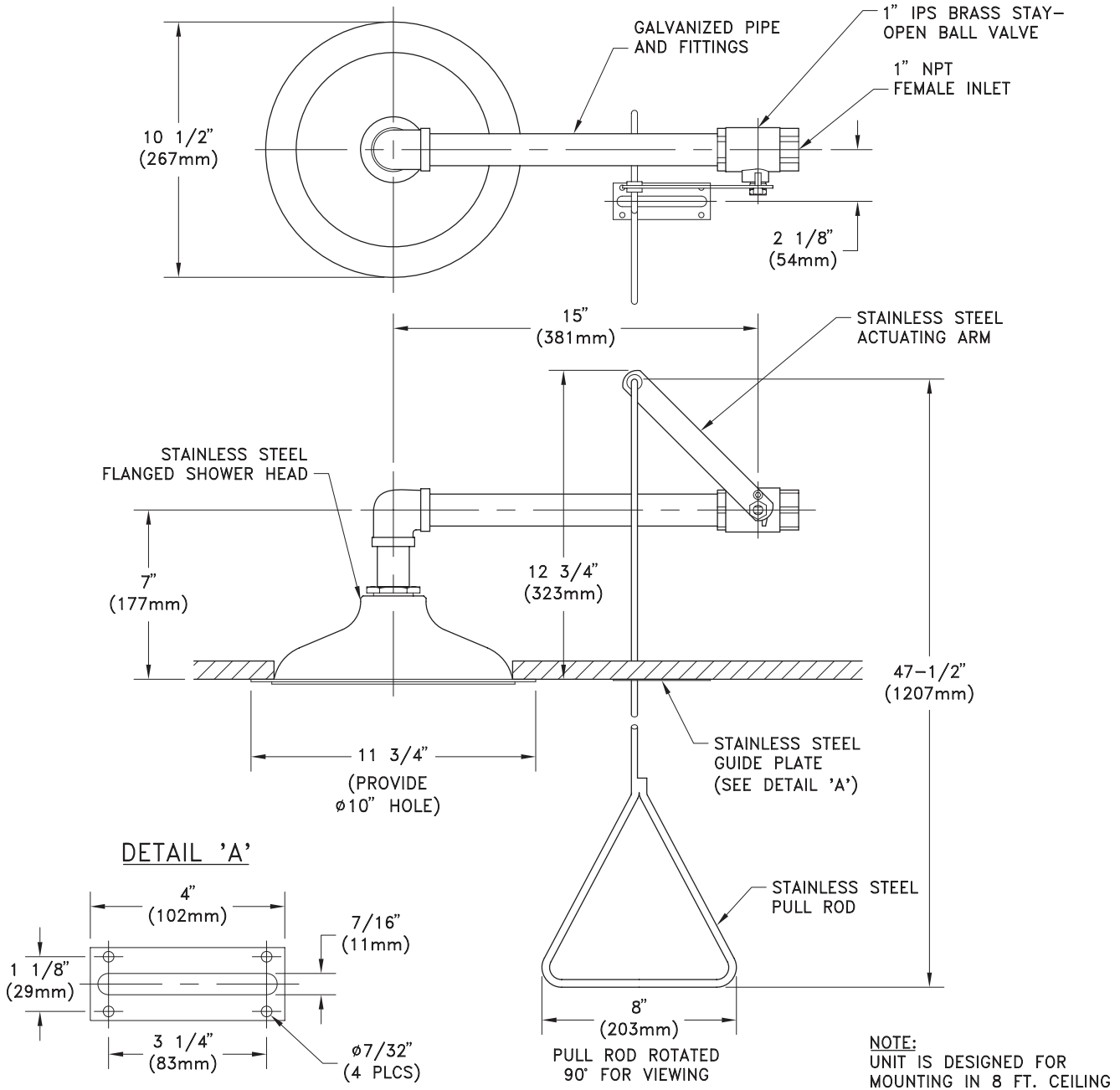
Available Options

- **SC** Self-closing ball valve. *Note: Emergency showers with self-closing valves do not comply with ANSI Z358.1-2009.*
- **FC20** Regulates shower flow rate to 20 GPM.
- **AP280-230 ELECTRIC LIGHT AND ALARM HORN**
Flashing light/alarm horn unit is recess mounted in finished wall. Light is illuminated and horn sounds when shower is activated. Furnished complete with flow switch and mounting hardware.
- **TMV** G3800 thermostatic mixing valve precisely blends hot and cold water to deliver warm (tepid) water as required by ANSI Z358.1-2009. Refer to "Tempering Units" section for complete technical and product selection information.





□ G1629 Emergency Shower, Recess Mounted, Stainless Steel Shower Head



THIS SPACE FOR ARCHITECT/ENGINEER APPROVAL

Due to continuing product improvement, the information contained in this document is subject to change without notice. All dimensions are ± 1/4" (6mm). rev. 0112

Sign Included

