



### □ AP280-230 Combination Strobe Light and Alarm Horn for Recessed Laboratory Units

**Application:** Combination strobe light and alarm horn for recessed laboratory units. Strobe light activates and alarm horn sounds loudly when recessed eye/face wash or shower is activated. Alarm horn and light unit is recess mounted in wall. Ideal for use in finished spaces, including laboratories and clean rooms.

**Installation:** Unit is designed for use with recessed laboratory units. Combination light and alarm horn is recess mounted in wall. Flow switch and electrical wiring are located behind wall. 120 volt, 0.11 amp electrical supply is required.

**Visual Signal:** Amber strobe light with shatter-resistant lens.

**Audible Signal:** Horn delivers distinctive, urgent signal at 90 db.

**Flow Switch:** 1" IPS single pole, double throw waterproof flow switch for installation in water supply line to emergency unit. Switch senses flow of water when either the eye/face wash or shower is activated. Flow switch must be installed with tee fitting in horizontal position, flow switch body in vertical position and at least 6" from closest fitting. Direction of flow is marked on switch body.

**Mounting:** Furnished with hardware for recess mounting components in finished wall. Electrical connections by others.

**Quality Assurance:** All components are factory tested prior to shipment.

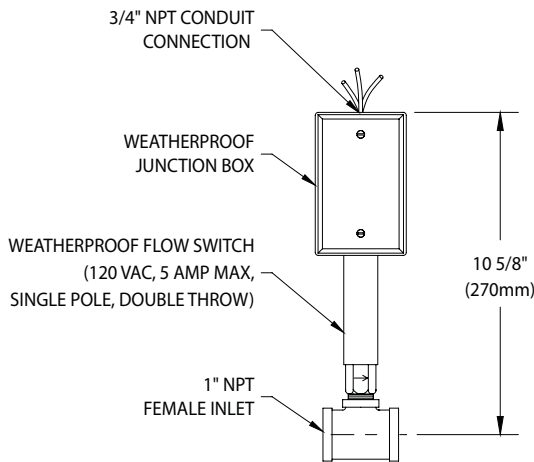
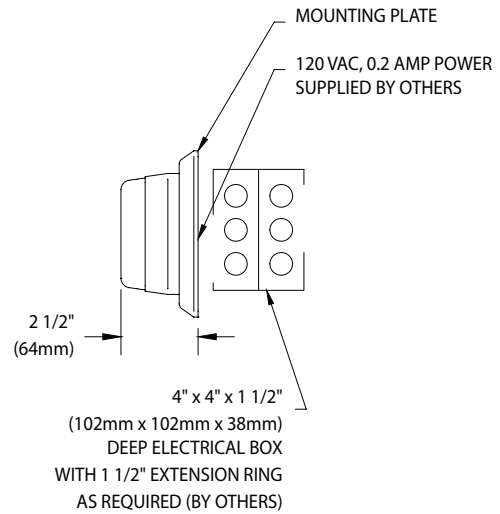
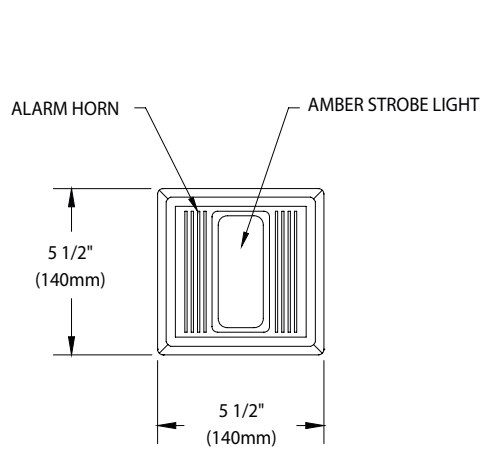
#### Additional Model

□ AP280-235 Same as above except with double pole, double throw flow switch for connection to monitoring system. When emergency unit is actuated, light and horn activate and electrical signal is sent to remote monitoring location.

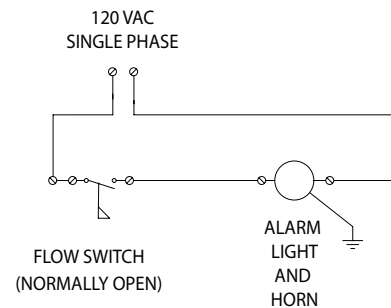




### AP280-230 Combination Strobe Light and Alarm Horn for Recessed Laboratory Units



#### WIRING SCHEMATIC



#### NOTES:

1. FLOW SWITCH IS DESIGNED TO ACTIVATE AT 3.0 GPM AND DEACTIVATE AT 1.75 GPM.
2. FLOW SWITCH MUST BE INSTALLED VERTICALLY IN A HORIZONTAL PIPE RUN, UPSTREAM OF UNIT AND AT LEAST 6" FROM FITTING.
3. SOUND OUTPUT ON HORN IS 90 dB AT 10 FT.
4. WIRING BETWEEN COMPONENTS PROVIDED BY OTHERS.

THIS SPACE FOR ARCHITECT/ENGINEER APPROVAL

Due to continuing product improvement, the information contained in this document is subject to change without notice. All dimensions are  $\pm 1/4"$  (6mm). rev. 0717