



□ **AP250-065** Modesty Curtain for Recessed Laboratory Units

APPLICATION: In an emergency, it is imperative that contaminated clothing be removed as quickly as possible. However, employees may be reluctant to remove their clothing in the presence of co-workers. A modesty curtain will protect the privacy of the user and permit disrobing while the shower unit is in operation. The curtain has a pocket in which a smock can be stored.

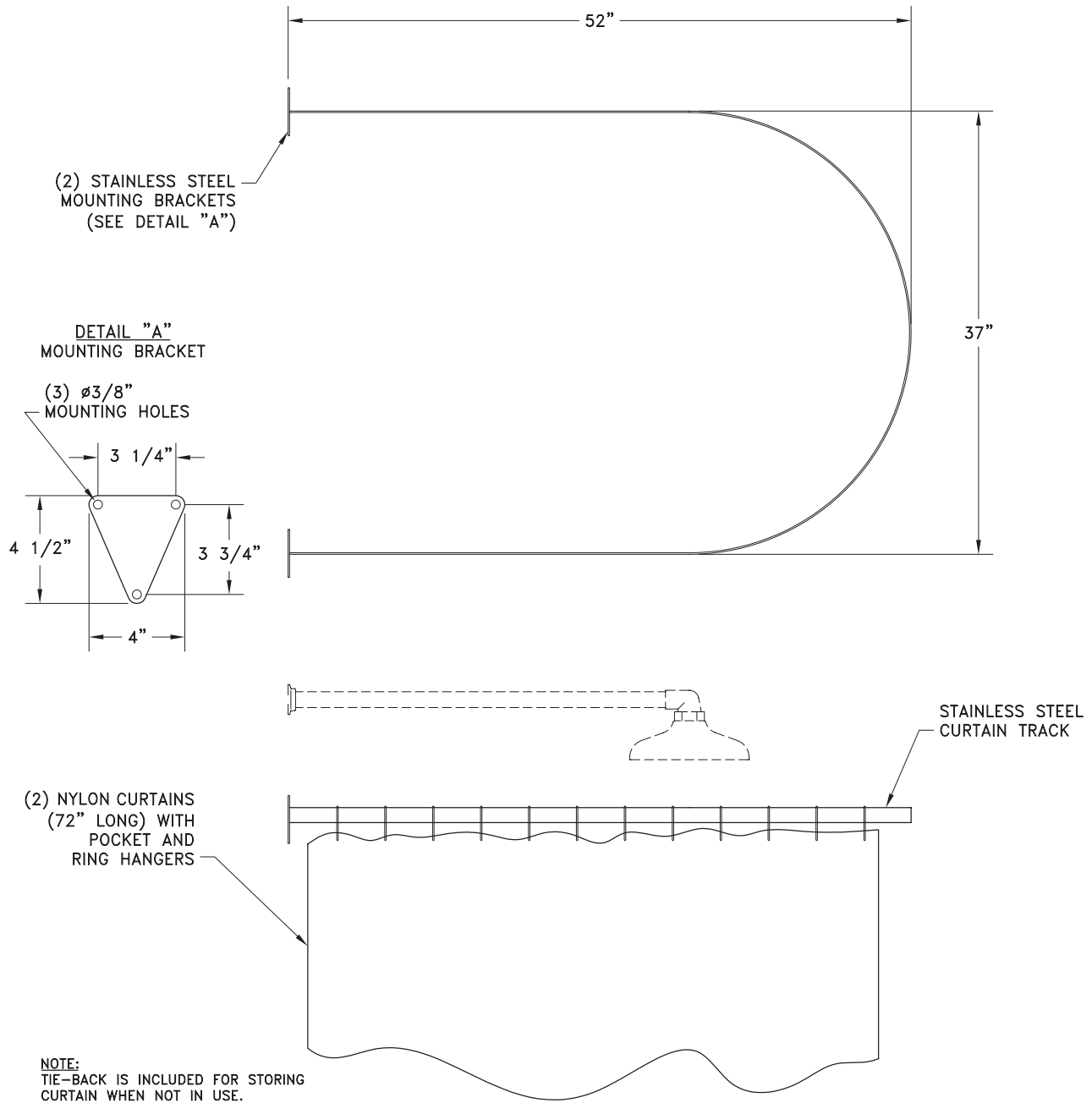
INSTALLATION: Unit is designed for use with recessed laboratory units, including emergency showers and combination safety stations. Furnished complete with stainless steel track assembly for wall mounting. All necessary mounting brackets are included.

CURTAIN: White UV-resistant nylon curtain with ring hangers. Curtain has tie-back so it can be neatly stored when emergency equipment is not in use. Curtain has interior pocket for storing a smock to be used after contaminated clothing is removed.





AP250-065 Modesty Curtain for Recessed Laboratory Units



THIS SPACE FOR ARCHITECT/ENGINEER APPROVAL

Due to continuing product improvement, the information contained in this document is subject to change without notice. All dimensions are $\pm 1/4"$ (6mm). rev. 0910